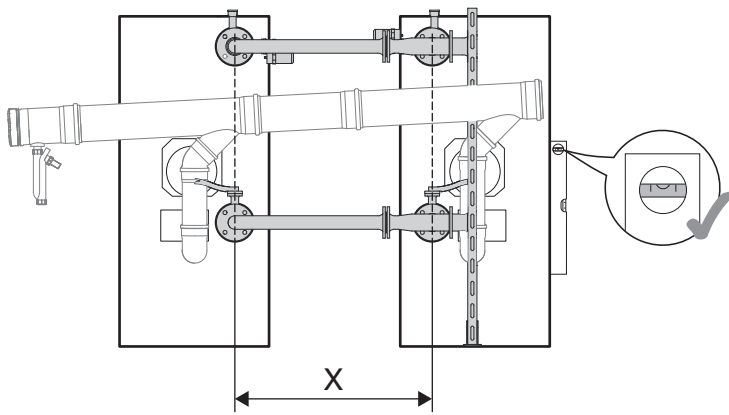
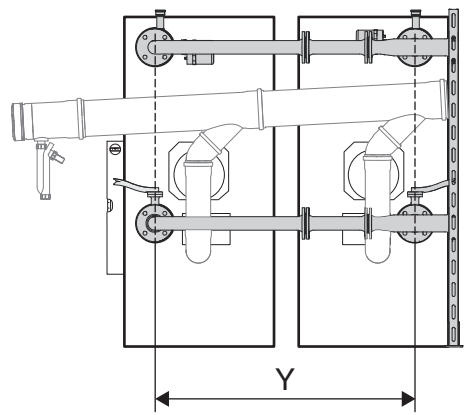


**A**



**B**

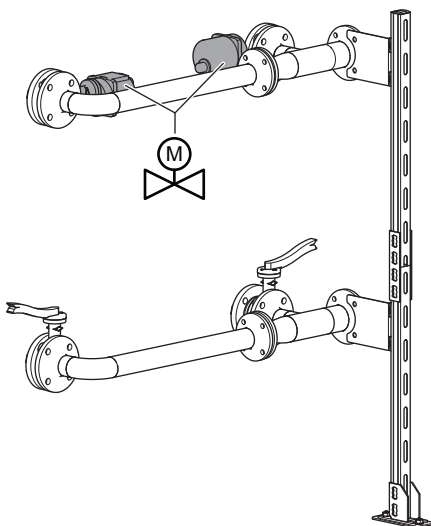
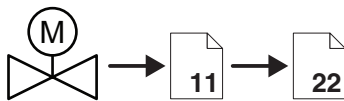


| [kW]        | X [mm] | Y [mm] |
|-------------|--------|--------|
| 75 ... 100  | 880    | 1160   |
| 150         | 880    | 1160   |
| 200 ... 300 | 870    | 1170   |

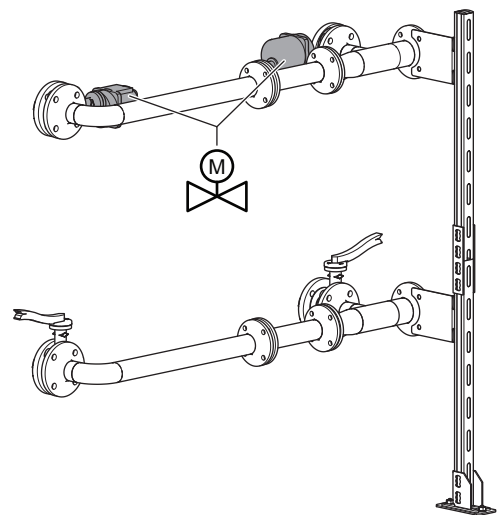
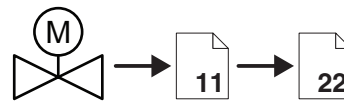
0010020465-001

1

**A1**

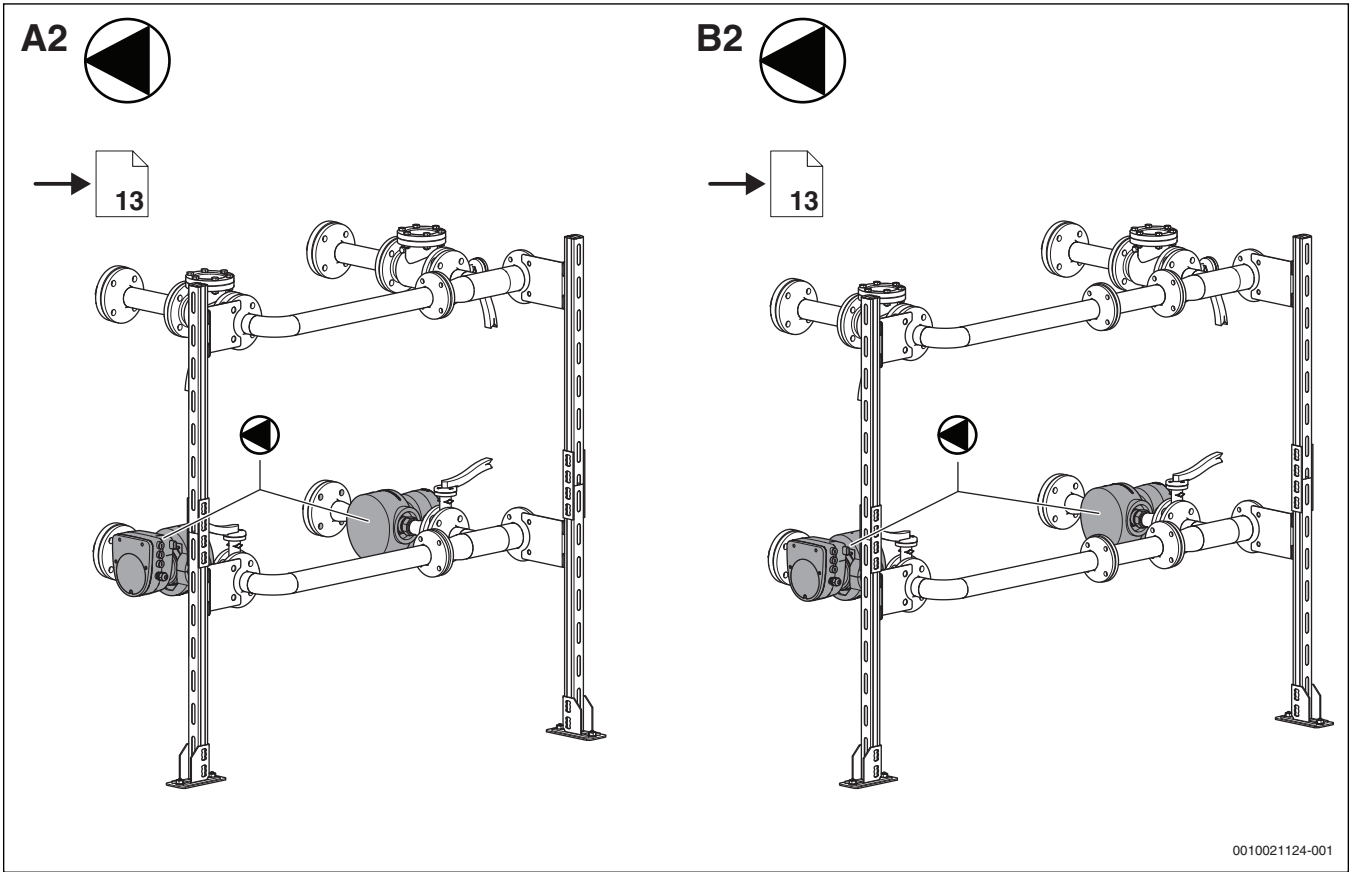


**B1**

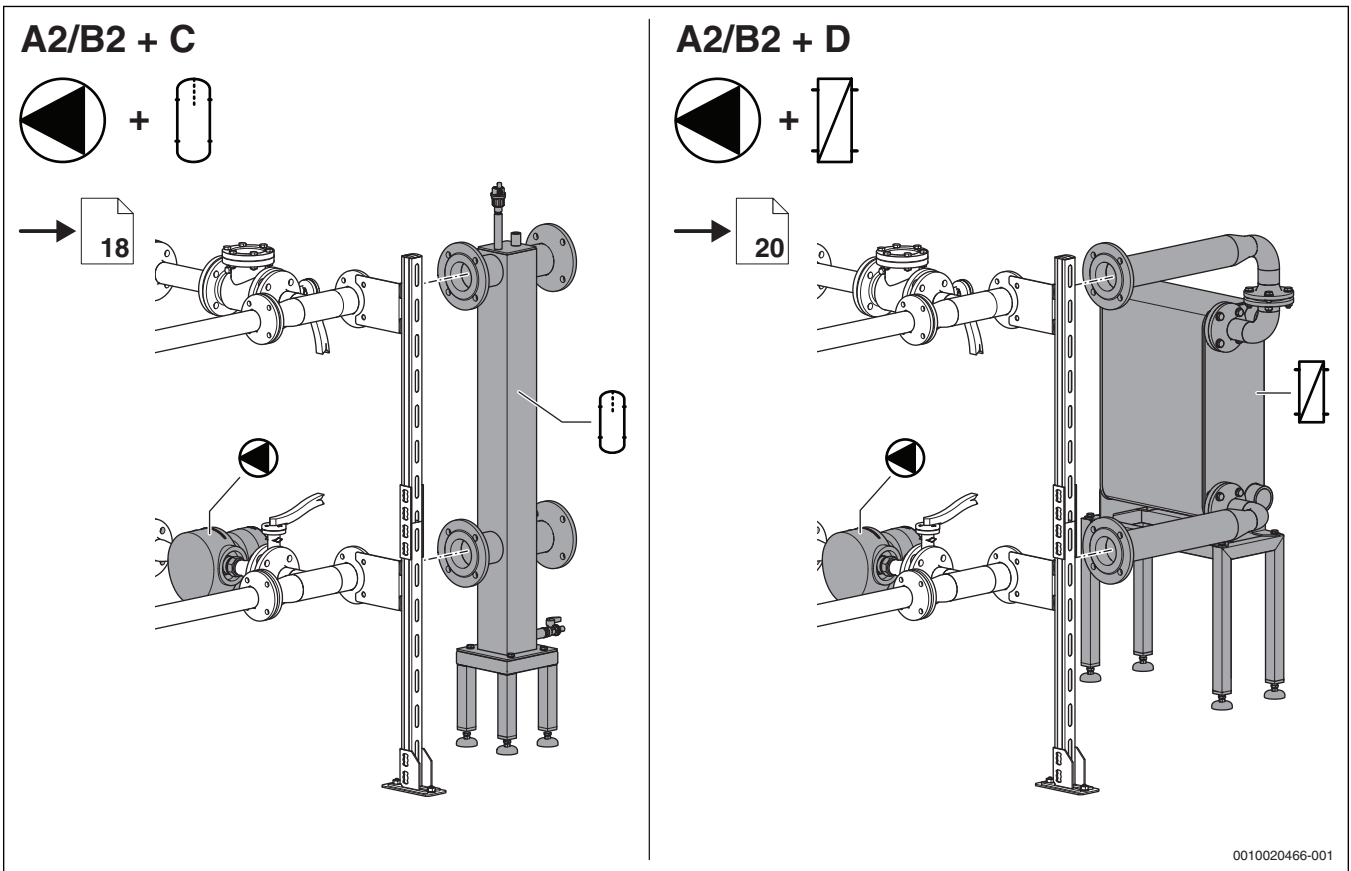


0010020472-002

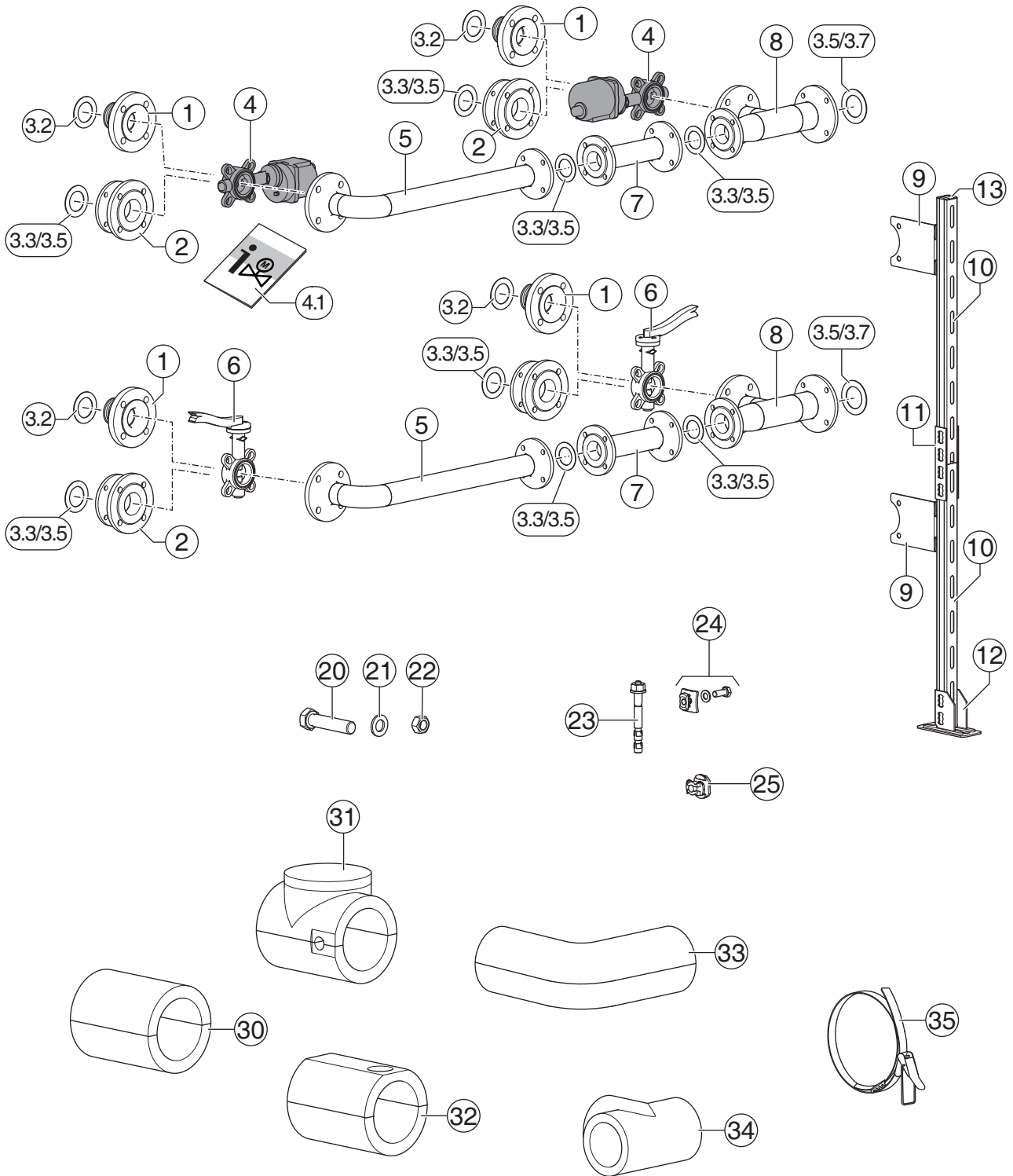
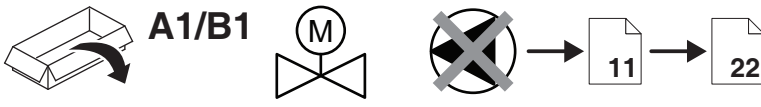
2






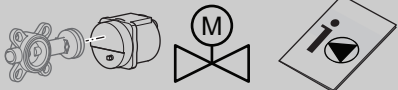
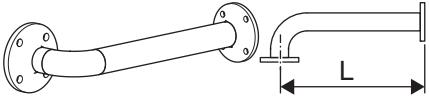
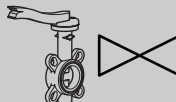
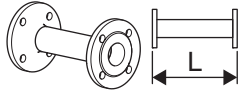
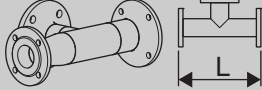

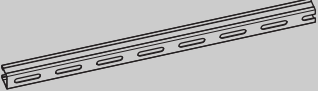





3













4



0010019534-002

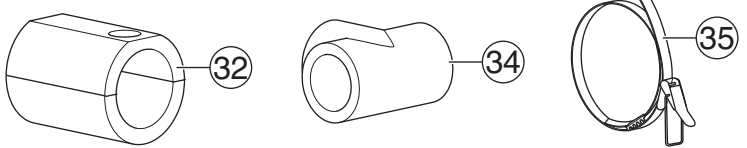
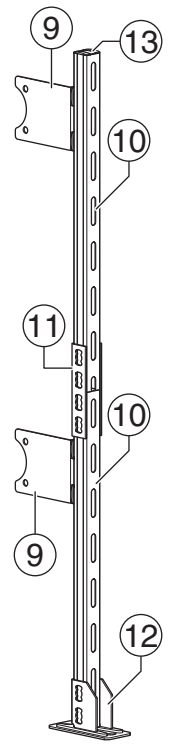
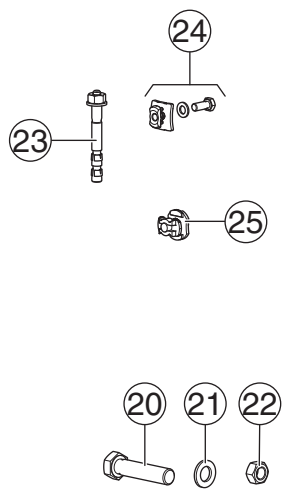
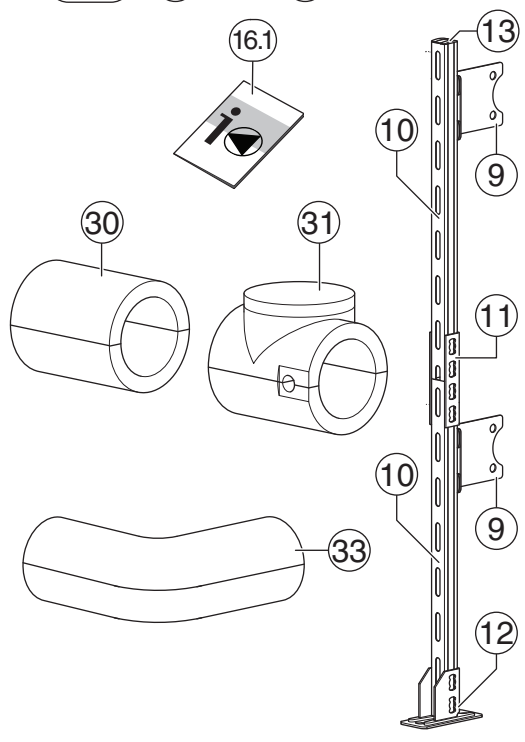
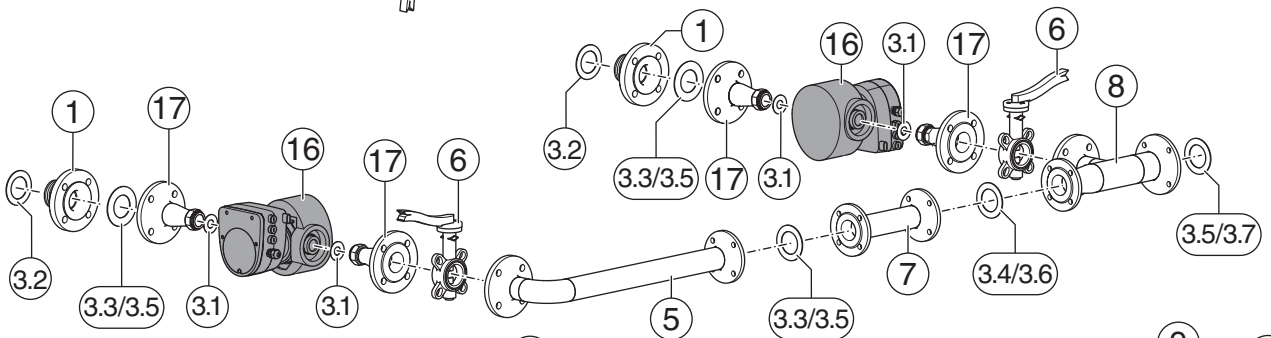
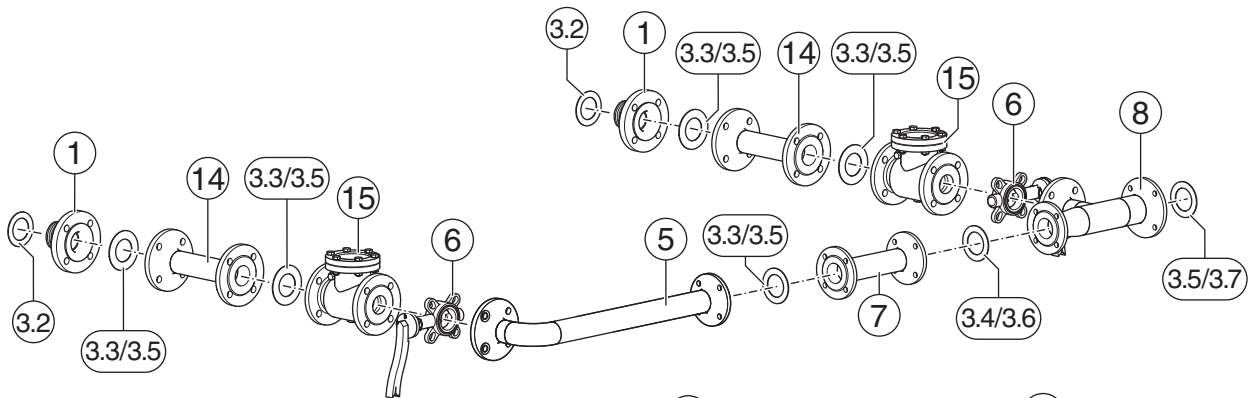
| ##  |   | 2 × 75 / 100<br>[kW] | 2 × 150<br>[kW] | 2 × 200 / 2 × 250 /<br>2 × 300<br>[kW] | [L =mm]      |
|-----|---|----------------------|-----------------|--|--------------|
| 1   |    | 4                    | -               | -                                      | -            |
| 2   |    | -                    | 4               | 4                                      | 83           |
| 3.2 |    | 4                    | -               | -                                      | 60 × 78 × 2  |
| 3.3 |   | 4                    | 8               | -                                      | 61 × 95 × 2  |
| 3.5 |   | 2                    | 2               | 8                                      | 77 × 116 × 2 |
| 3.7 |   | -                    | -               | 2                                      | 90 × 132 × 2 |
| 4   |    | 2                    | 2               | 2                                      | -            |
| 5   |    | -                    | -               | 2                                      | 654          |
|     |   | 2                    | 2               | -                                      | 674          |
| 6   |    | 4                    | 4               | 4                                      | -            |
| 7   |    | 2                    | 2               | -                                      | 278          |
|     |   | -                    | -               | 2                                      | 297          |
| 8   |  | 2                    | 2               | -                                      | 378          |
|     |   | -                    | -               | 2                                      | 402          |
| 9   |  | 2                    | 2               | -                                      | DN 65-PN 6   |
|     |   | -                    | -               | 2                                      | DN 80-PN 6   |
| 10  |  | 2                    | 2               | 2                                      | -            |
| 11  |  | 1                    | 1               | 1                                      | -            |
| 12  |  | 1                    | 1               | 1                                      | -            |
| 13  |  | 1                    | 1               | 1                                      | -            |
| 20  |  | 4                    | 4               | 4                                      | M12 × 30     |
|     |   | 24                   | 24              | 16                                     | M12 × 50     |
|     |   | -                    | 16              | 16                                     | M12 × 55     |
|     |   | -                    | -               | 8                                      | M16 × 65     |
|     |   | 16                   | 16              | 16                                     | M16 × 110    |
| 21  |  | 52                   | 84              | 68                                     | 13           |
|     |   | 32                   | 32              | 48                                     | 17           |

| ## |   | 2 × 75 / 100<br>[kW] | 2 × 150<br>[kW] | 2 × 200 / 2 × 250 /<br>2 × 300<br>[kW] | [L =mm] |
|----|---|----------------------|-----------------|--|---------|
| 22 |  | 24                   | 40              | 32                                     | M12     |
|    |   | 16                   | 16              | 24                                     | M16     |
| 23 |  | 2                    | 2               | 2                                      | -       |
| 24 |  | 4                    | 4               | 4                                      | -       |
| 25 |  | 6                    | 6               | 6                                      | -       |
| 30 |  | 2                    | 2               | 2                                      | -       |
| 31 |  | -                    | -               | -                                      | -       |
| 32 |  | 4                    | 4               | 4                                      | -       |
| 33 |  | 2                    | 2               | 2                                      | -       |
| 34 |  | 2                    | 2               | 2                                      | -       |
| 35 |  | 16                   | 16              | 16                                     | -       |



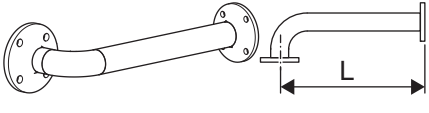
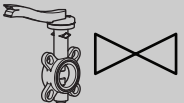
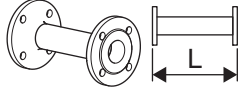
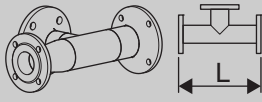
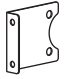
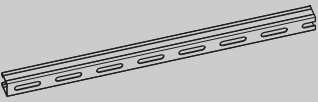



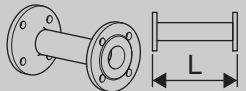
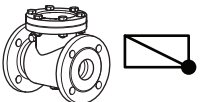
1

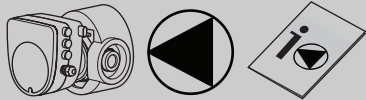
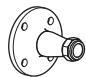
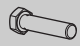


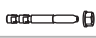
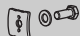

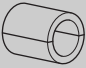
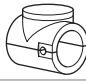
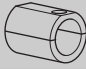





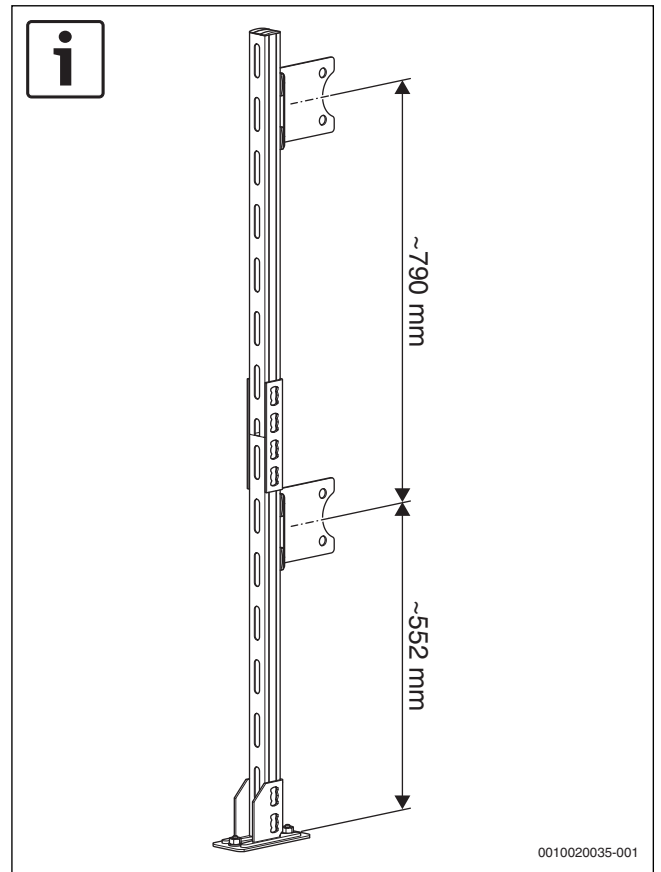
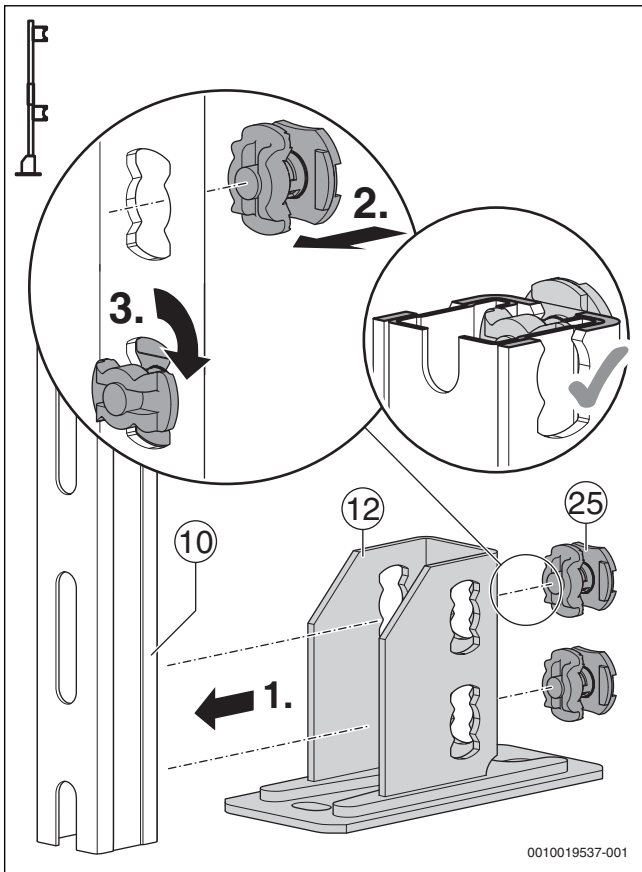
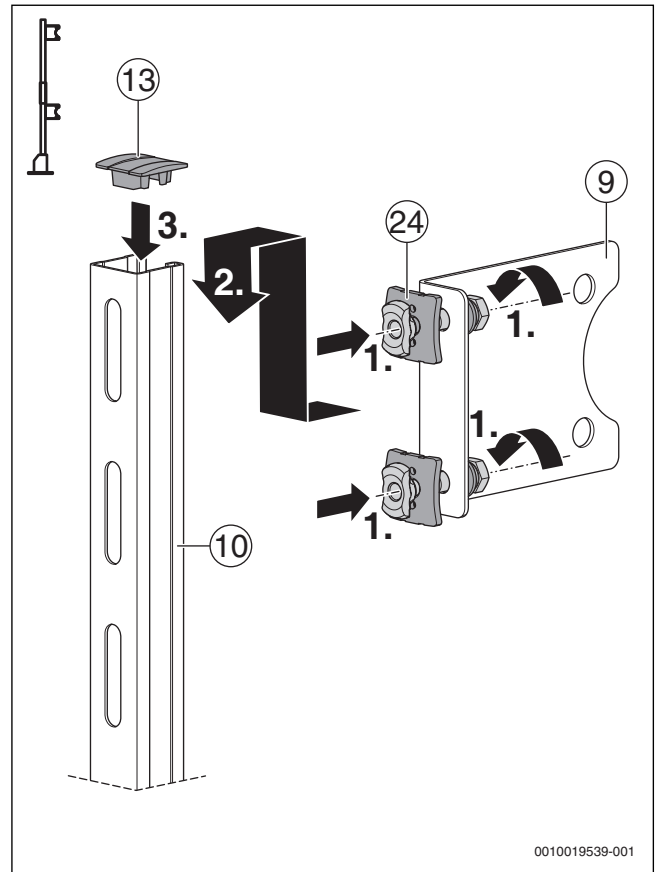
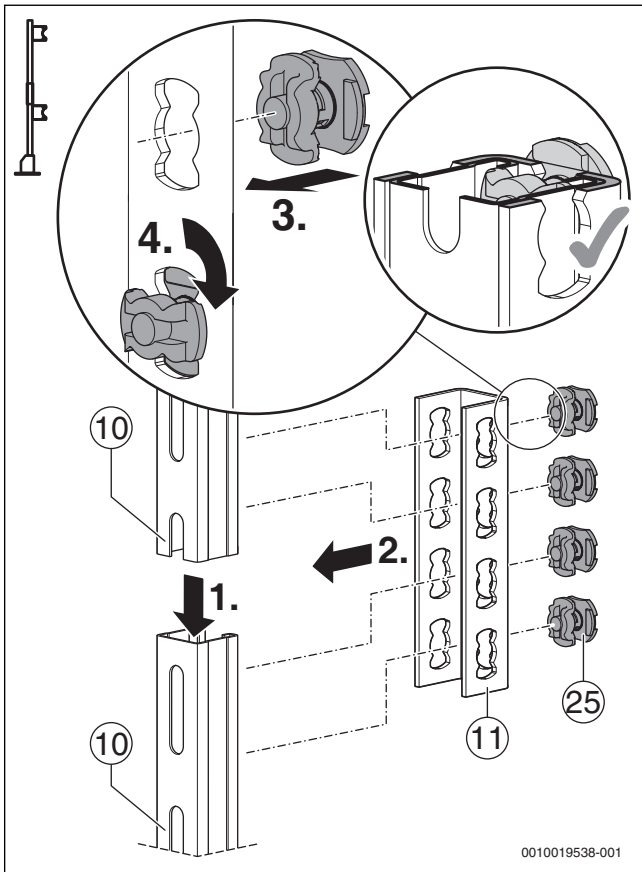
A2/B2



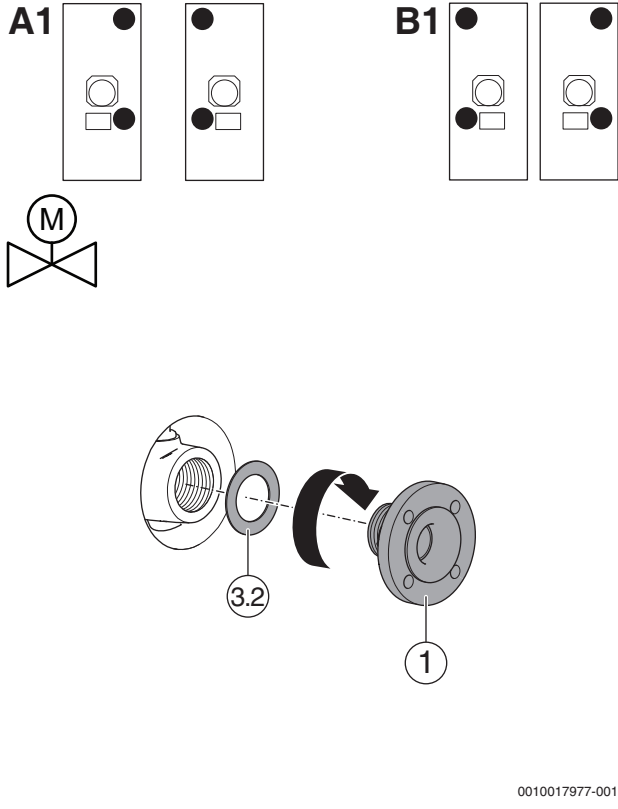
0010017972-001

| ##  |   | 2 × 75<br>[kW] | 2 × 100<br>[kW] | 2 × 150<br>[kW] | 2 × 200<br>[kW] | 2 × 250<br>[kW] | 2 × 300<br>[kW] | [L=mm]       |
|-----|---|----------------|-----------------|-----------------|-----------------|-----------------|-----------------|--------------|
| 1   |    | 4              | 4               | -               | -               | -               | -               | -            |
| 3.1 |    | -              | -               | -               | -               | 4               | 4               | 49 × 86 × 2  |
| 3.2 |   | 4              | 4               | -               | -               | -               | -               | 60 × 78 × 2  |
| 3.3 |   | 4              | 4               | 8               | -               | -               | -               | 61 × 95 × 2  |
| 3.4 |   | 6              | 6               | 2               | -               | -               | -               | 61 × 107 × 2 |
| 3.5 |   | 2              | 2               | 2               | 8               | 8               | 8               | 77 × 116 × 2 |
| 3.6 |   | -              | -               | -               | 2               | 2               | 2               | 77 × 127 × 2 |
| 3.7 |   | -              | -               | -               | 2               | 2               | 2               | 90 × 132 × 2 |
| 5   |    | -              | -               | -               | 2               | 2               | 2               | 654          |
|     |   | 2              | 2               | 2               | -               | -               | -               | 674          |
| 6   |    | 4              | 4               | 4               | 4               | 4               | 4               | -            |
| 7   |    | 2              | 2               | 2               | -               | -               | -               | 278          |
|     |   | -              | -               | -               | 2               | 2               | 2               | 297          |
| 8   |   | 2              | 2               | 2               | -               | -               | -               | 378          |
|     |   | -              | -               | -               | 2               | 2               | 2               | 402          |
| 9   |  | 2              | 2               | 2               | -               | -               | -               | DN 50-PN 16  |
|     |   | -              | -               | -               | 2               | 2               | 2               | DN 65-PN 16  |
|     |   | 2              | 2               | 2               | -               | -               | -               | DN 65-PN 6   |
|     |   | -              | -               | -               | 2               | 2               | 2               | DN 80-PN 6   |
| 10  |  | 4              | 4               | 4               | 4               | 4               | 4               | -            |
| 11  |  | 2              | 2               | 2               | 2               | 2               | 2               | -            |
| 12  |  | 2              | 2               | 2               | 2               | 2               | 2               | -            |
| 13  |  | 2              | 2               | 2               | 2               | 2               | 2               | -            |
| 14  |  | -              | -               | -               | 2               | -               | -               | 266          |
|     |   | -              | -               | 2               | -               | -               | -               | 278          |
|     |   | 2              | 2               | -               | -               | -               | -               | 286          |
|     |   | -              | -               | -               | -               | 2               | 2               | 321          |
| 15  |  | 2              | 2               | 2               | -               | -               | -               | DN 50        |
|     |   | -              | -               | -               | 2               | 2               | 2               | DN 65        |

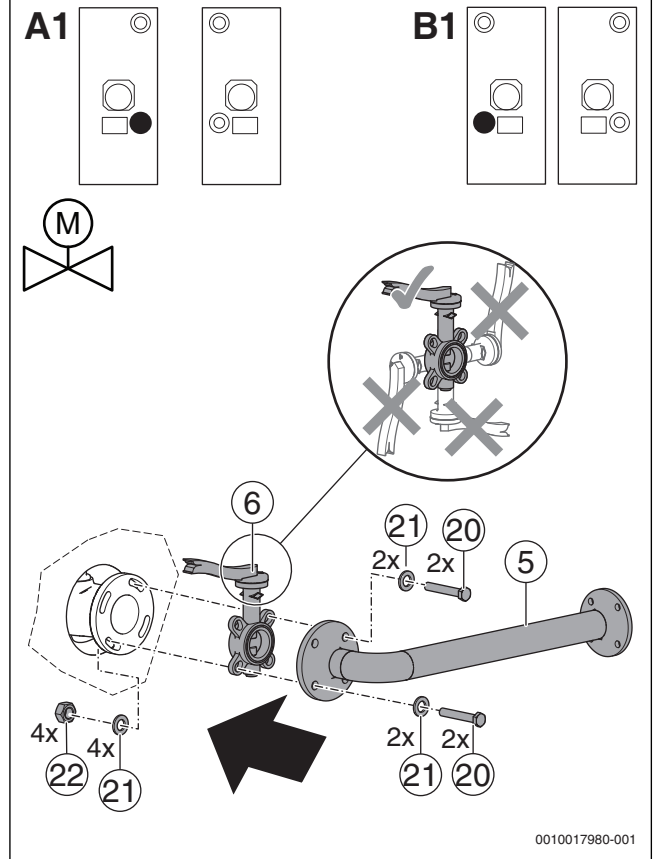
| ## |   | 2 × 75<br>[kW] | 2 × 100<br>[kW] | 2 × 150<br>[kW] | 2 × 200<br>[kW] | 2 × 250<br>[kW] | 2 × 300<br>[kW] | [L=mm]                  |
|----|---|----------------|-----------------|-----------------|-----------------|-----------------|-----------------|-------------------------|
| 16 |    | 2              | 2               | 2               | 2               | 2               | 2               | -                       |
| 17 |    | 4              | 4               | 2               | -               | -               | -               | DN 50/PN 6/G 1 1/2"     |
|    |   |                |                 | 2               |                 |                 |                 | DN 50/PN 16/G 1 1/2"    |
|    |   | -              | -               |                 | 2               |                 |                 | DN 65/PN 6/G 1 1/2"     |
|    |   |                |                 |                 | 2               |                 |                 | DN 65/PN 16/G 1 1/2"    |
|    |   |                |                 |                 |                 | 2               | 2               | DN 65/PN 16-DN 40/PN 16 |
|    |   |                |                 |                 |                 | 2               | 2               | DN 65/PN 6-DN 40/PN 6   |
| 20 |    | 8              | 8               | 8               | 8               | 8               | 8               | M12 × 30                |
|    |   | 24             | 24              | 24              | 16              | 16              | 16              | M12 × 50                |
|    |   | -              | -               | 16              | 16              | 32              | 32              | M12 × 55                |
|    |   | 8              | 8               | 8               | 16              | 16              | 16              | M16 × 65                |
|    |   | 16             | 16              | -               | -               | -               | -               | M16 × 70                |
|    |   | 16             | 16              | 16              | 16              | 16              | 16              | M16 × 110               |
| 21 |    | 56             | 56              | 88              | 72              | 104             | 104             | 13                      |
|    |   | 80             | 80              | 48              | 64              | 64              | 64              | 17                      |
| 22 |    | 24             | 24              | 40              | 32              | 48              | 48              | M12                     |
|    |   | 40             | 40              | 24              | 32              | 32              | 32              | M16                     |
| 23 |    | 4              | 4               | 4               | 4               | 4               | 4               |                         |
| 24 |    | 12             | 12              | 12              | 12              | 12              | 12              |                         |
| 25 |    | 8              | 8               | 8               | 8               | 8               | 8               |                         |
| 30 |   | 2              | 2               | 2               | 2               | 2               | 2               |                         |
| 31 |  | 2              | 2               | 2               | 2               | 2               | 2               |                         |
| 32 |  | 4              | 4               | 4               | 4               | 4               | 4               |                         |
| 33 |  | 2              | 2               | 2               | 2               | 2               | 2               |                         |
| 34 |  | 2              | 2               | 2               | 2               | 2               | 2               |                         |
| 35 |  | 24             | 24              | 24              | 24              | 24              | 24              |                         |



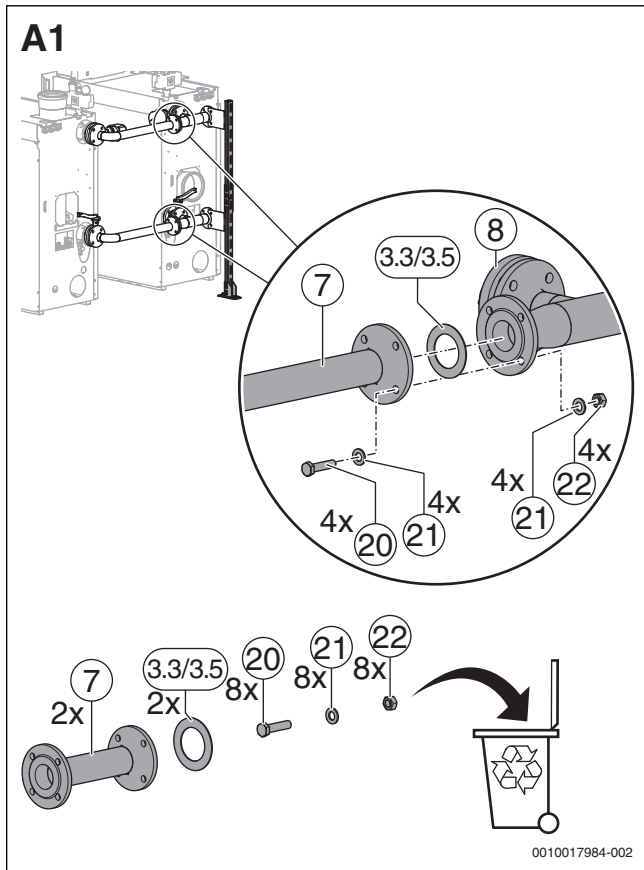
2 x 75 / 2 x 100 KW



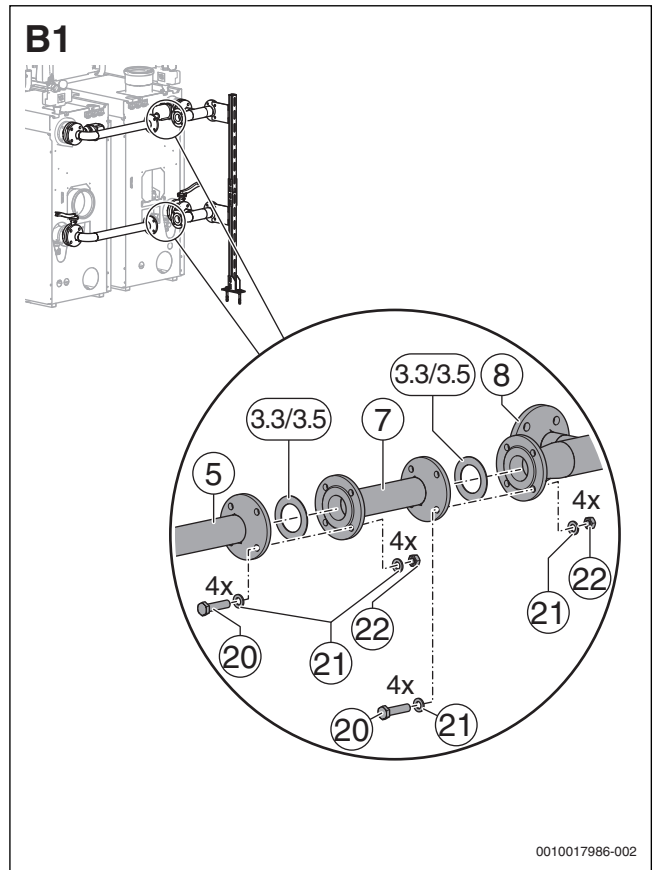
11



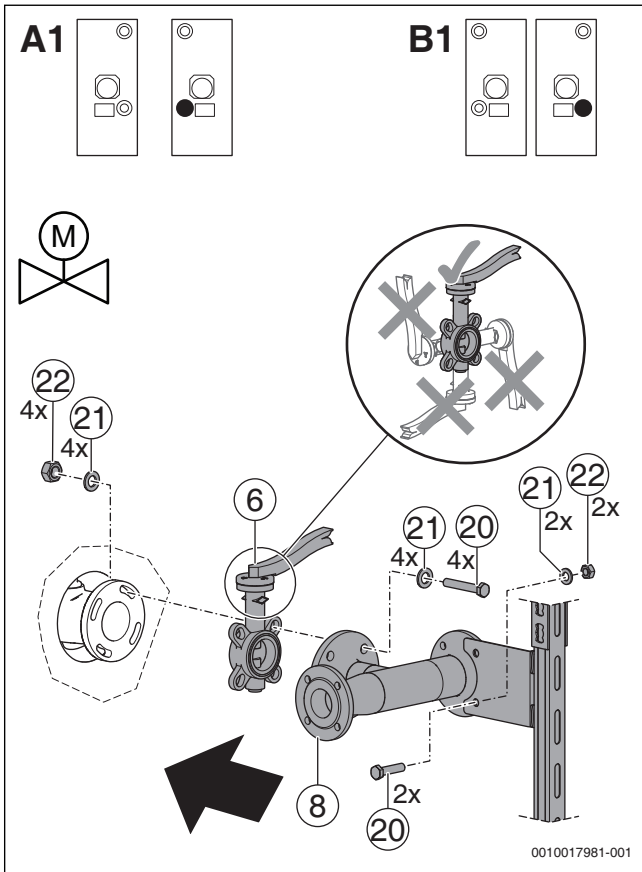
12



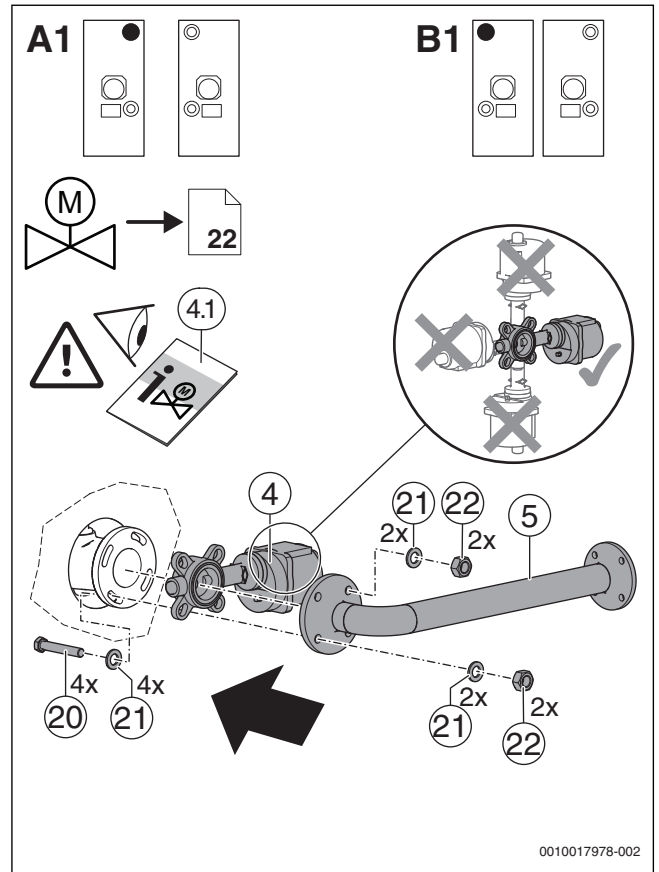
13



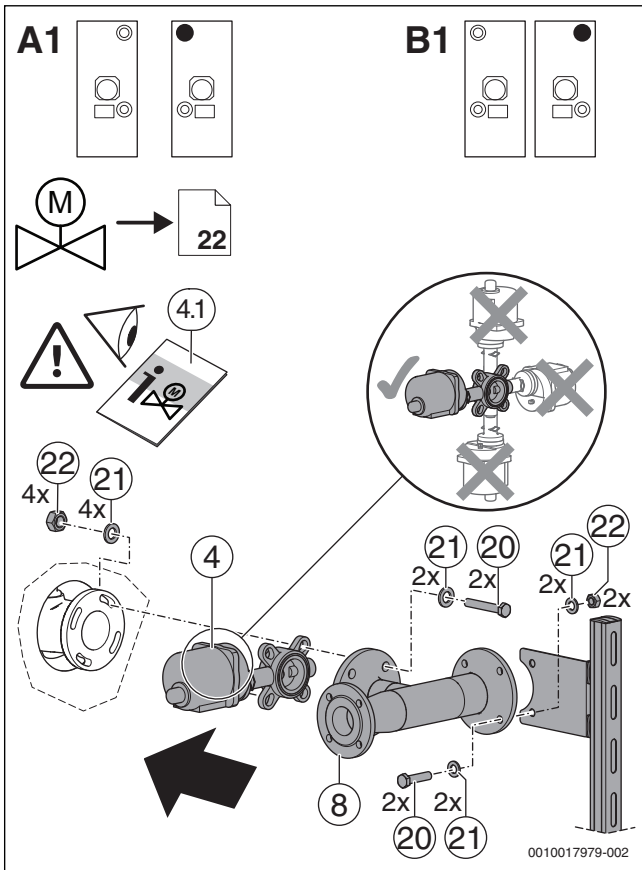
14



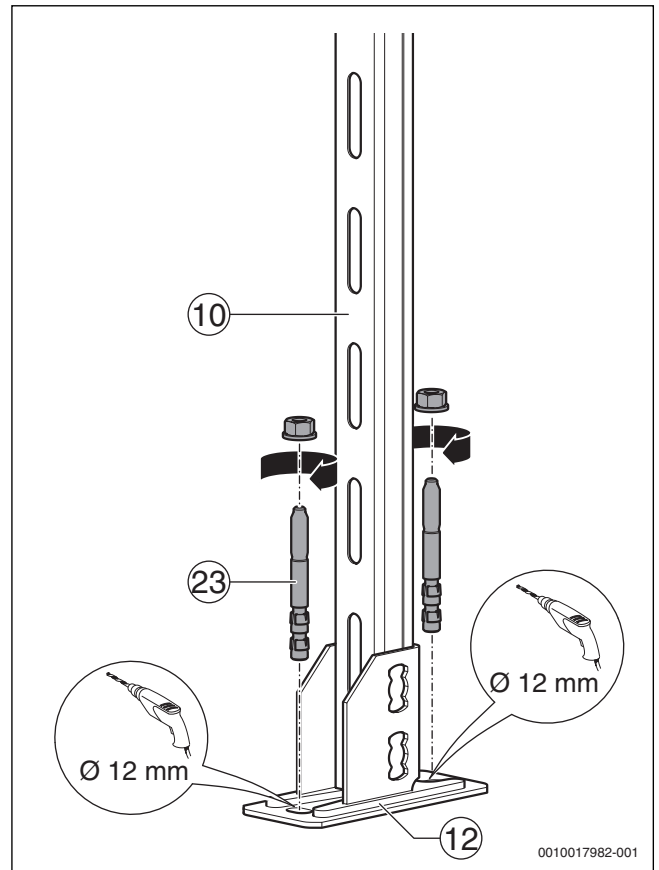
15



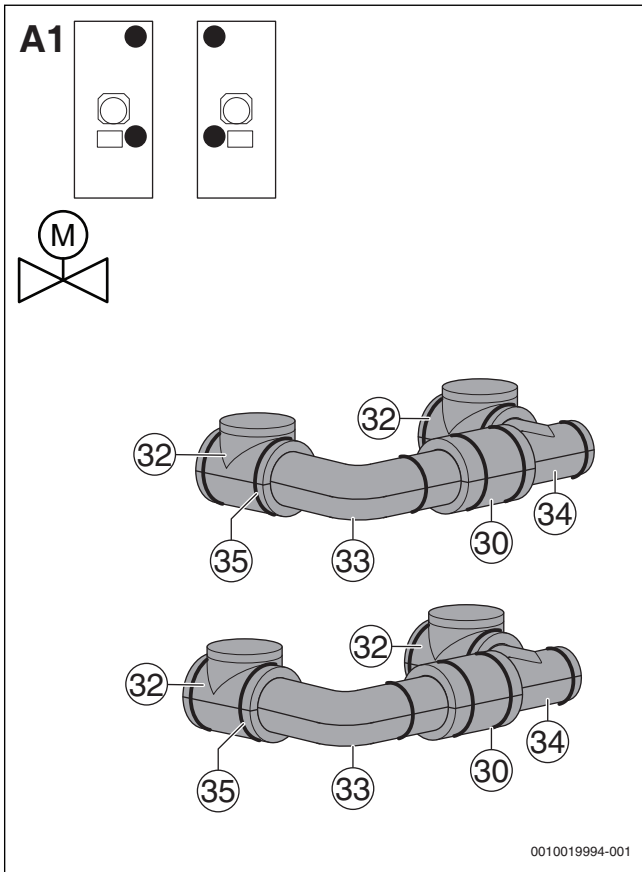
16



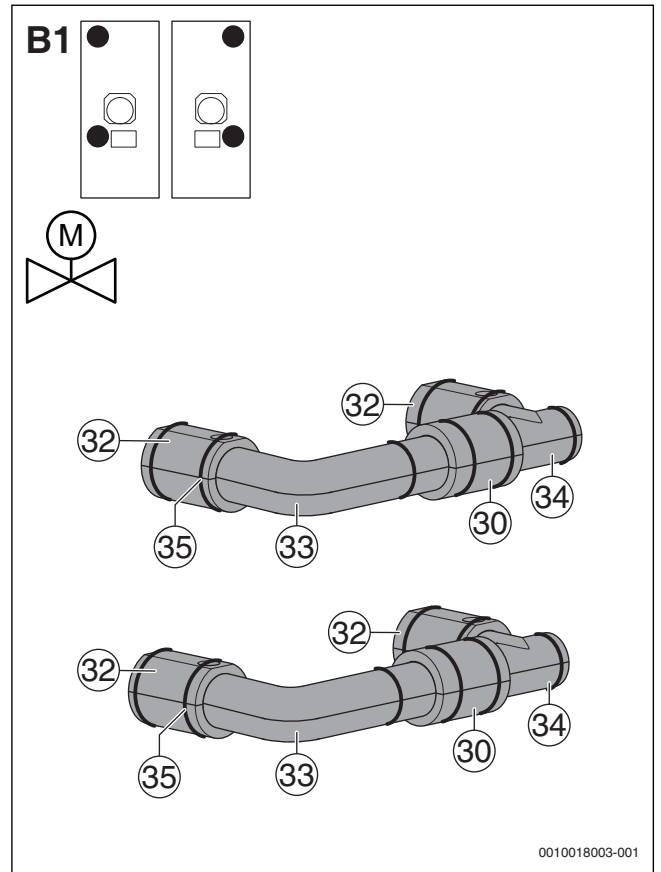
17



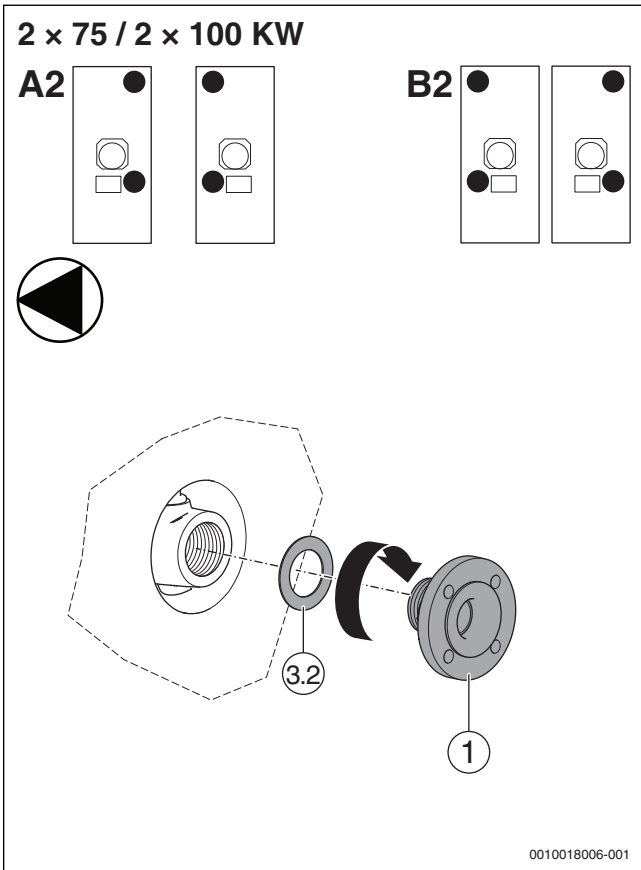
18



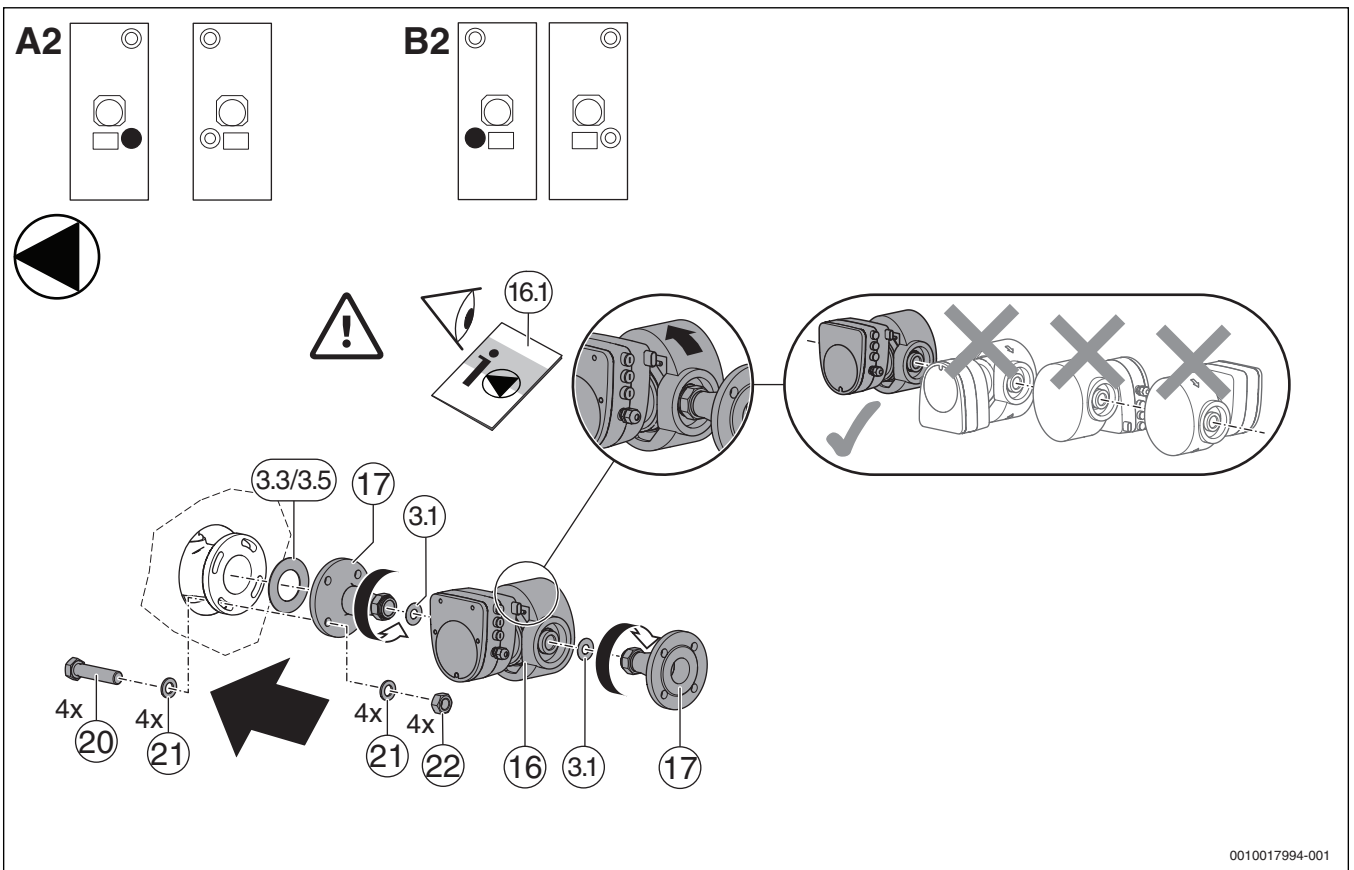
19



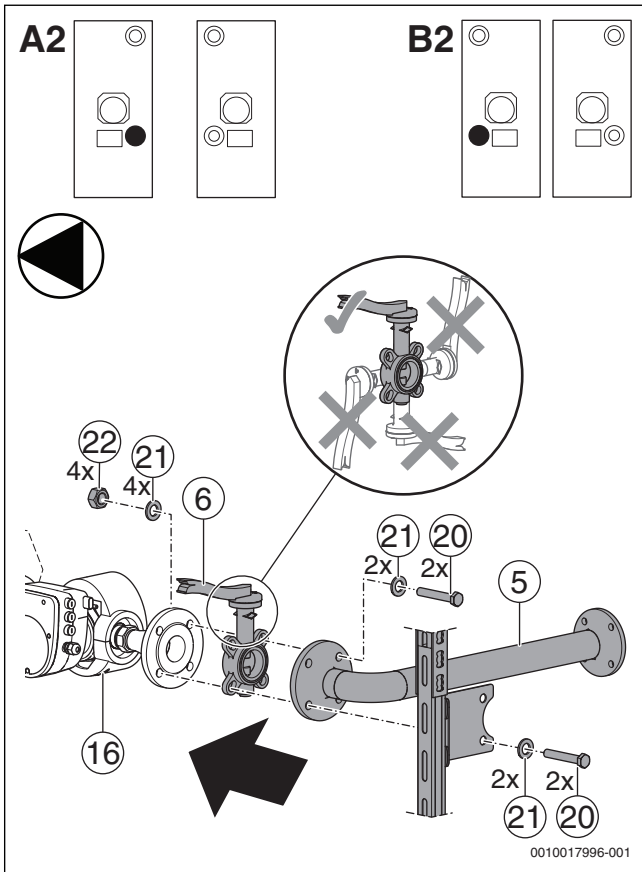
20



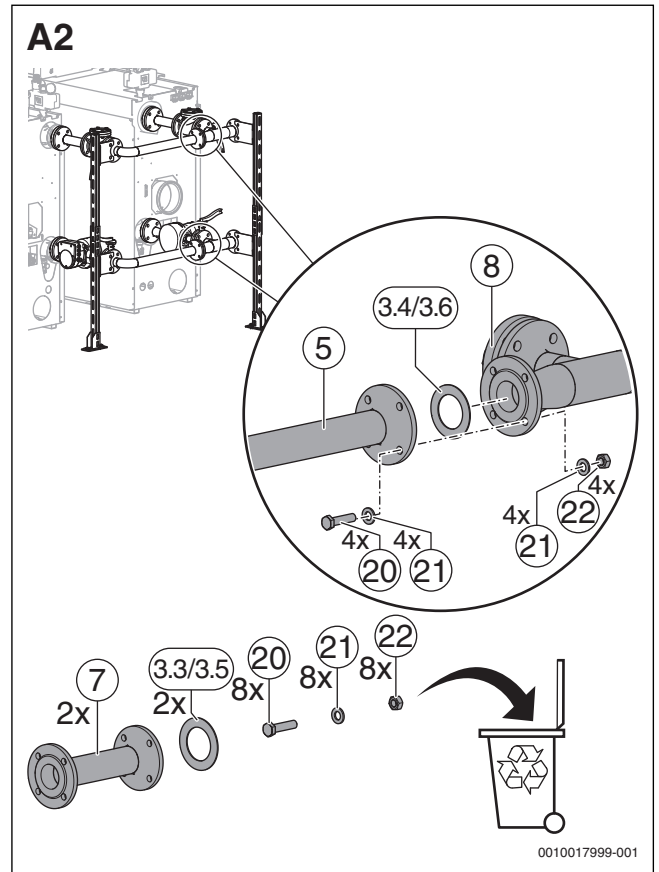
21



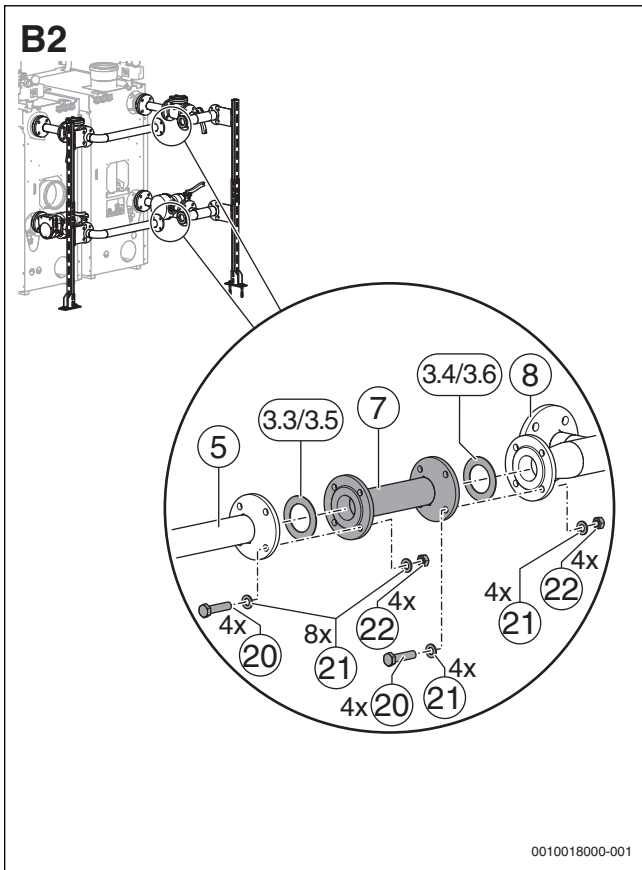
22



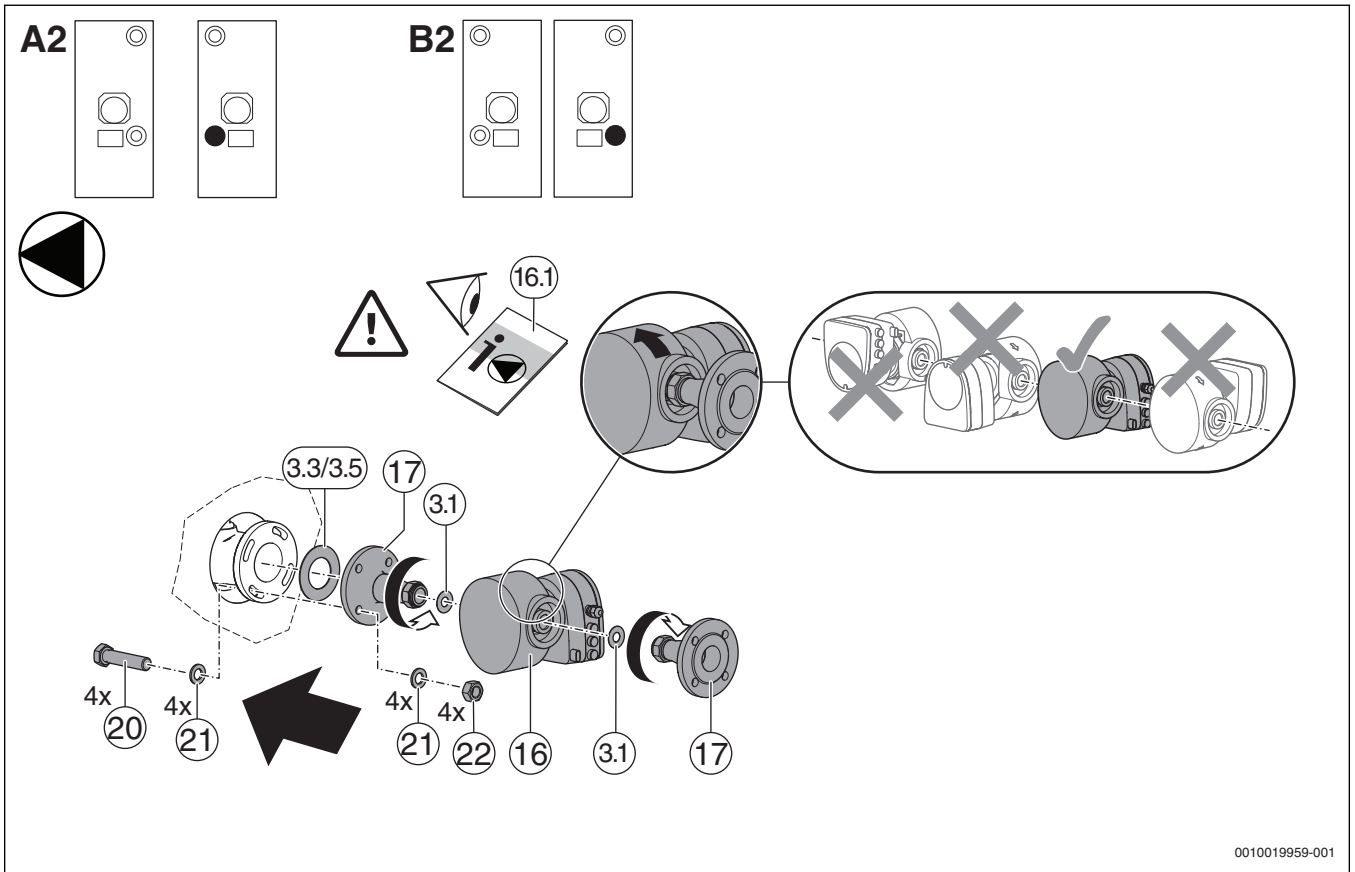
23



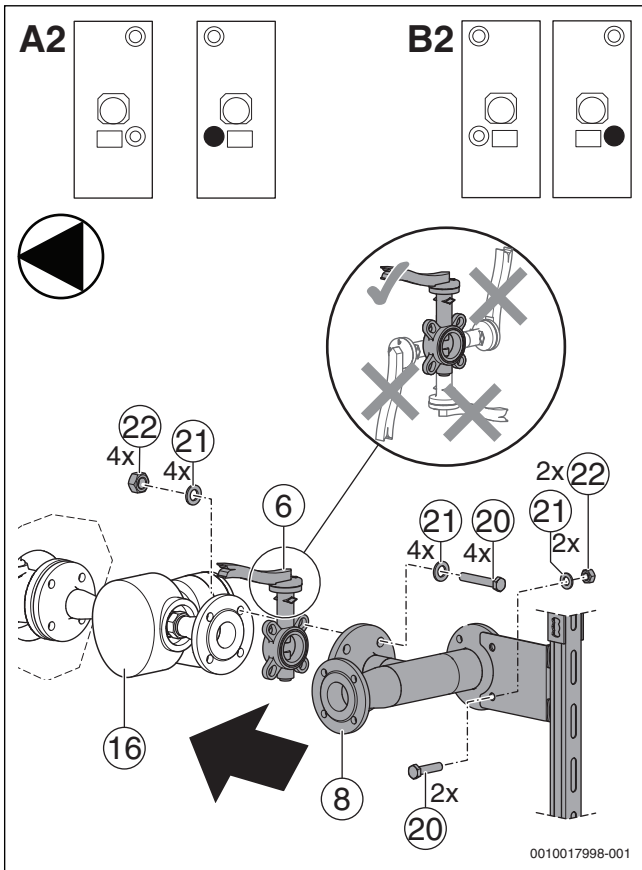
24



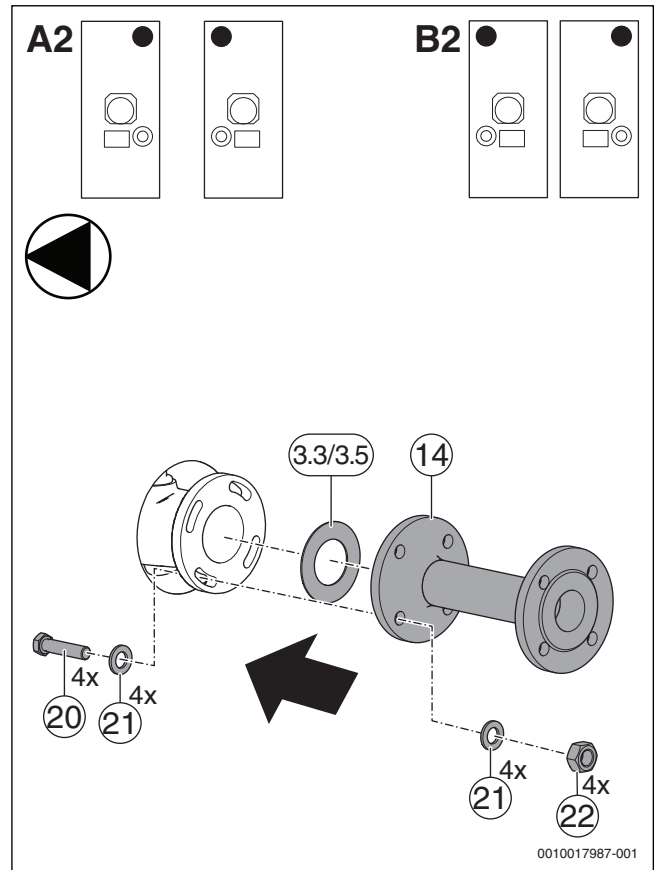
25



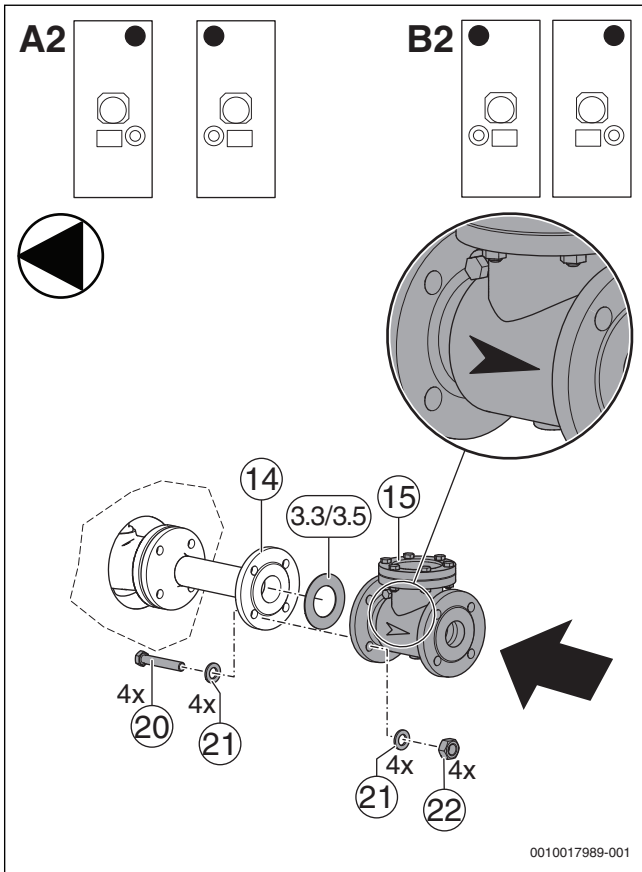
26



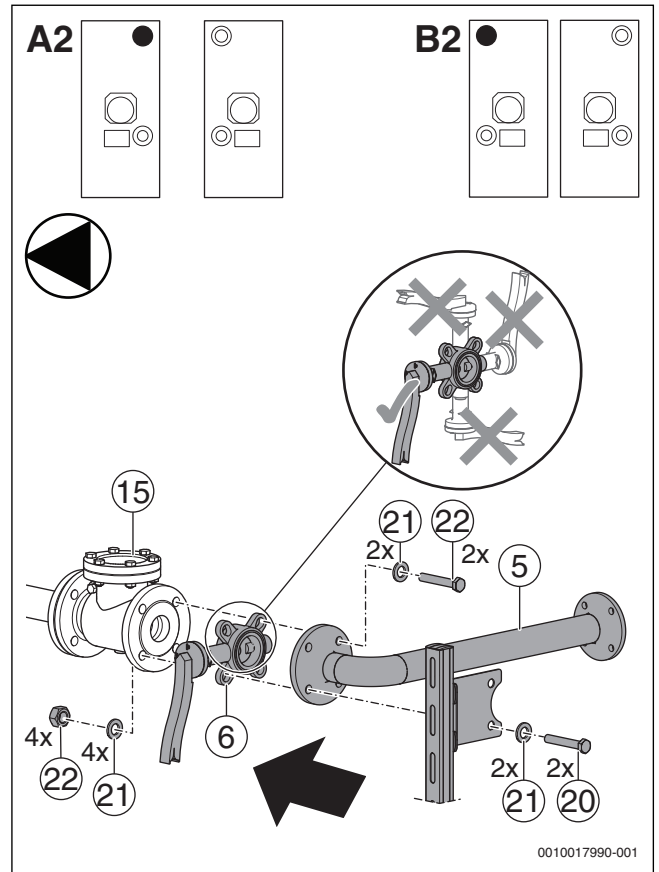
27



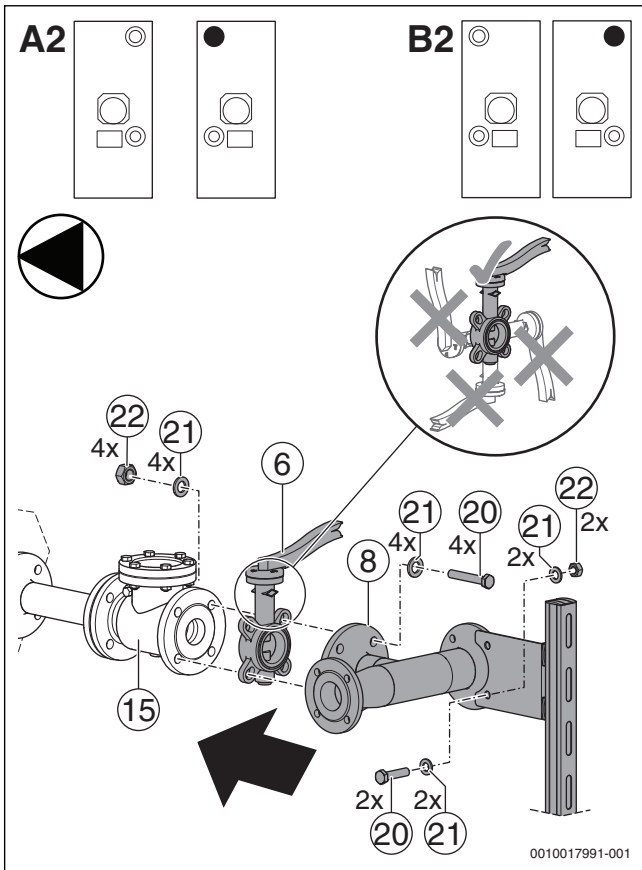
28



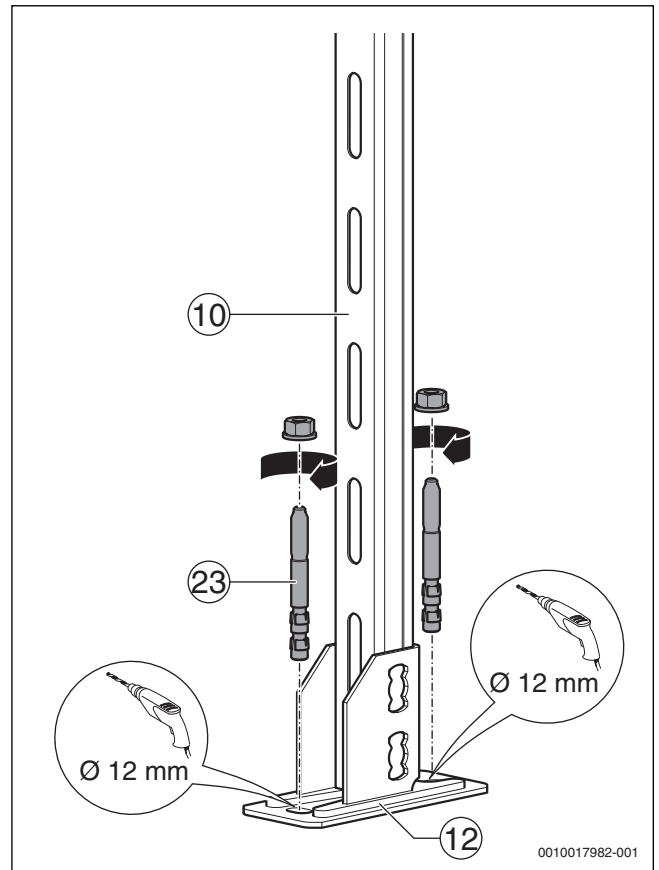
29



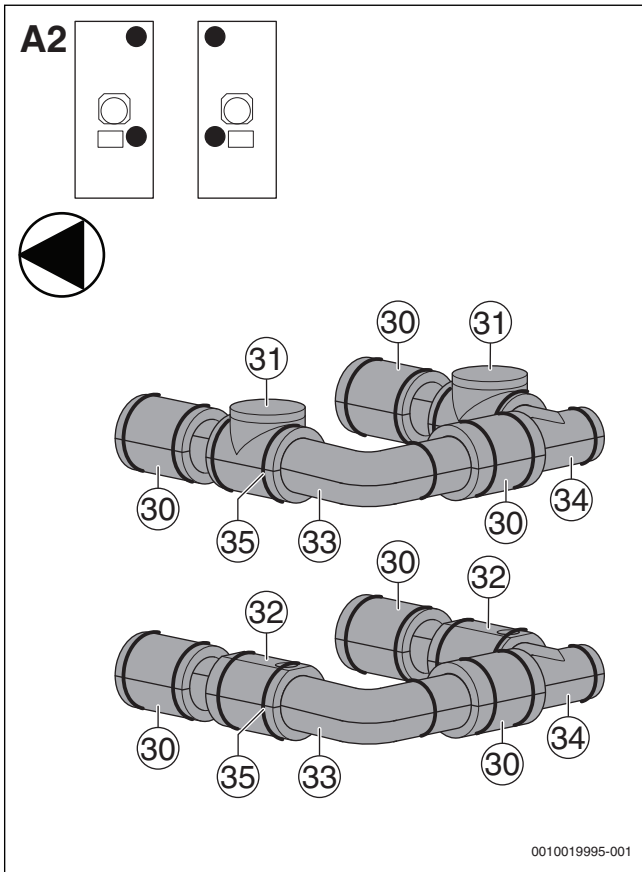
30



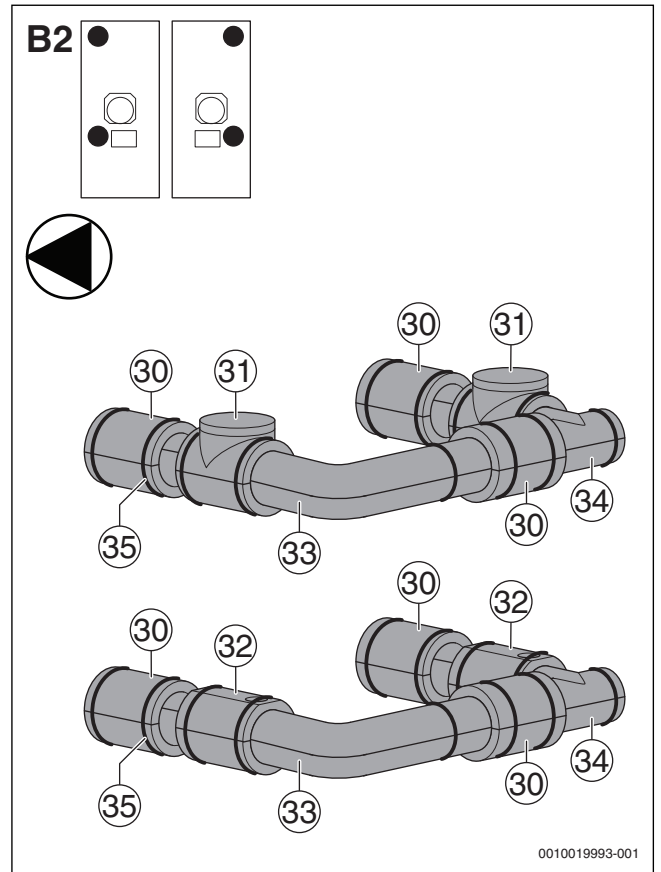
31



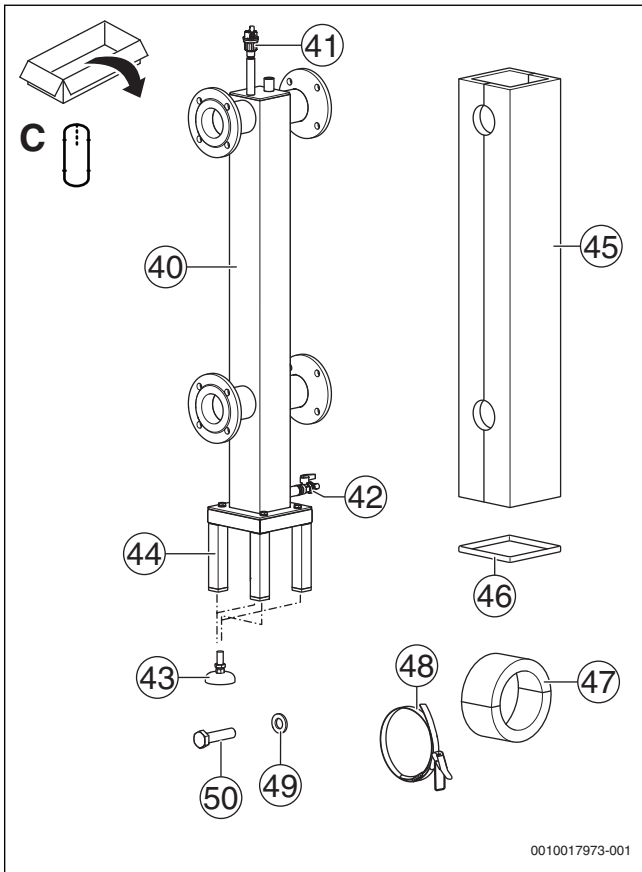
32



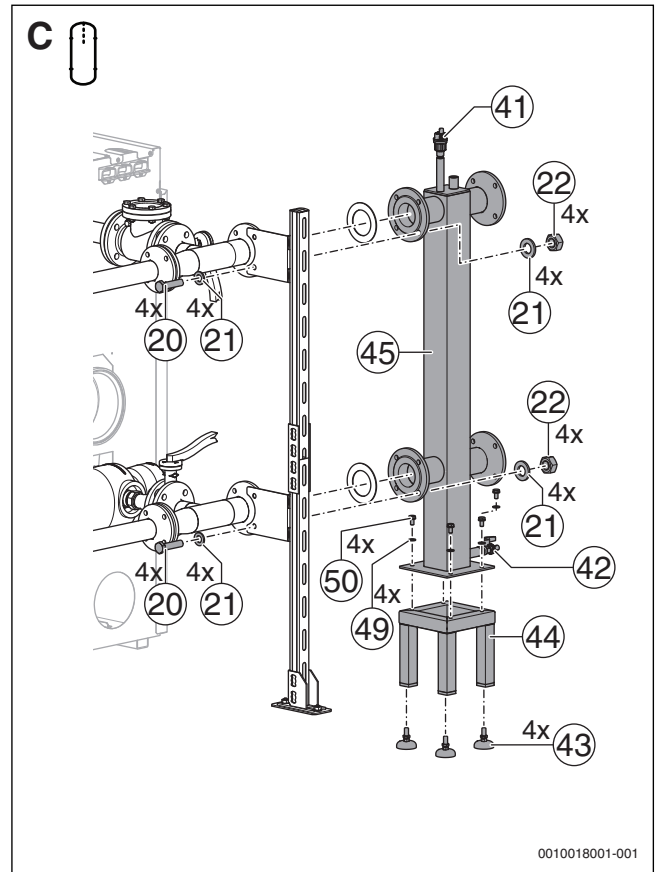
33



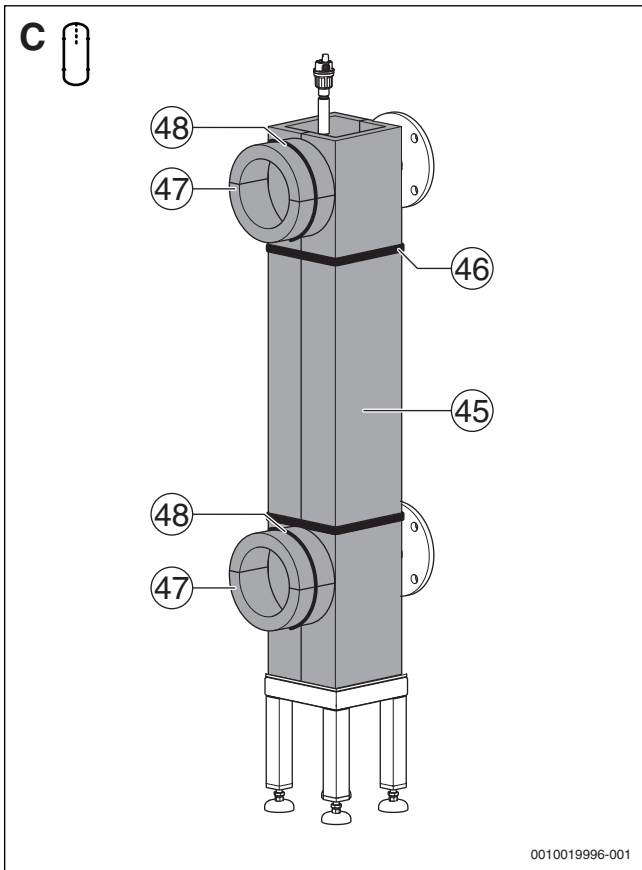
34



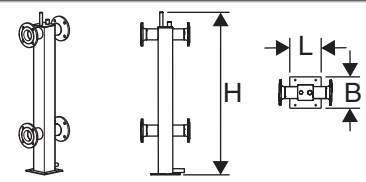



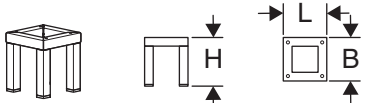






35

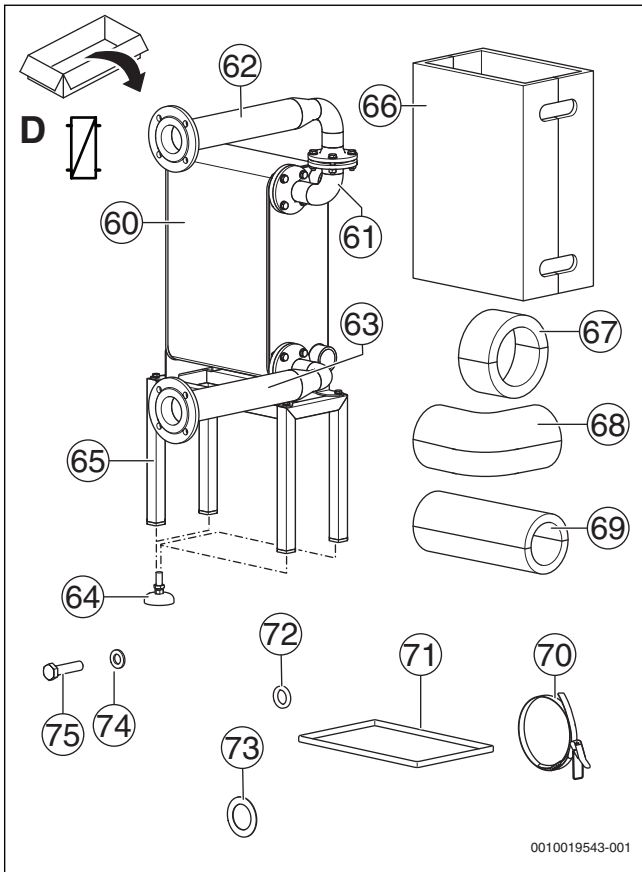


36

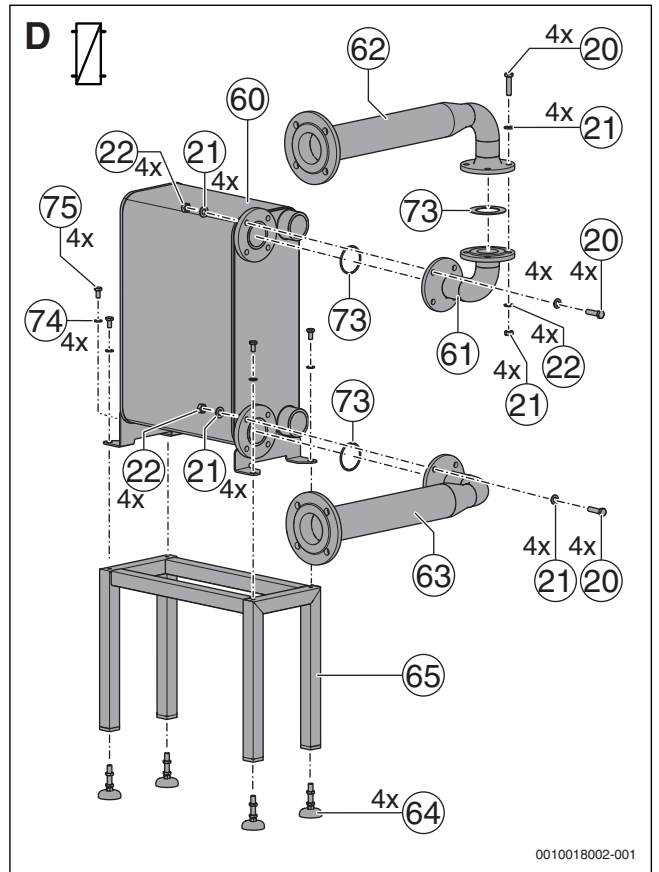


37

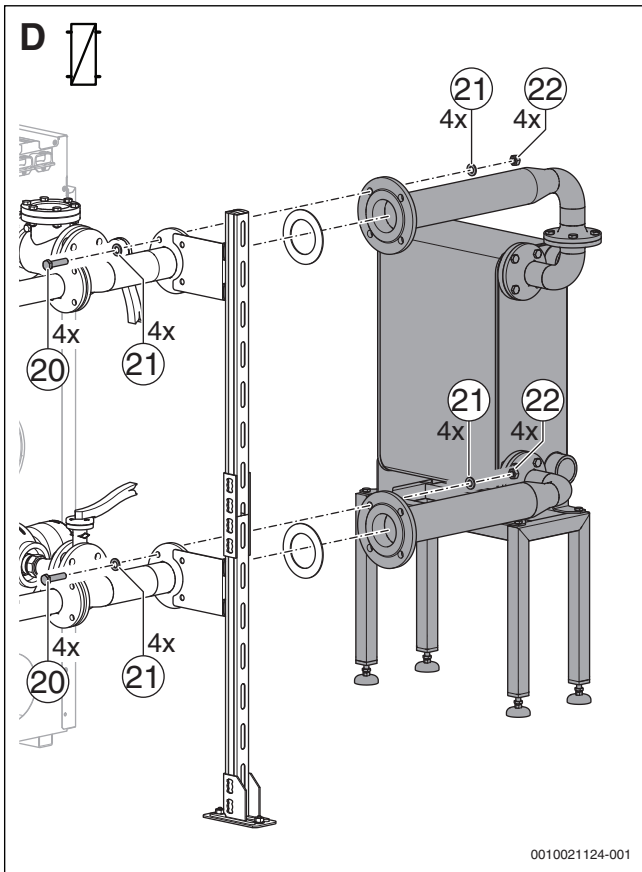
| ## |   | 2 × 75 / 2 × 100<br>[kW] | 2 × 150<br>[kW] | 2 × 200 / 2 × 250 / 2 × 300<br>[kW] | [L, B, H=mm]     |
|----|---|--------------------------|-----------------|-------------------------------------|------------------|
| 40 |    | 1                        | -               | -                                   | 200 × 200 × 1240 |
|    |   | -                        | 1               | -                                   | 200 × 200 × 1245 |
|    |   | -                        | -               | 1                                   | 200 × 200 × 1253 |
| 41 |    | 1                        | 1               | 1                                   | 3/8"             |
| 42 |    | 1                        | 1               | 1                                   | 1/2"             |
| 43 |    | 4                        | 4               | 4                                   |                  |
| 44 |    | 1                        | 1               | 1                                   | 200 × 200 × 270  |
| 45 |    | 1                        | 1               | 1                                   |                  |
| 46 |    | 2                        | 2               | 2                                   |                  |
| 47 |    | 2                        | 2               | 2                                   |                  |
| 48 |   | 2                        | 2               | 2                                   |                  |
| 49 |  | 4                        | 4               | 4                                   | 10,5             |
| 50 |  | 4                        | 4               | 4                                   | M10 × 20         |



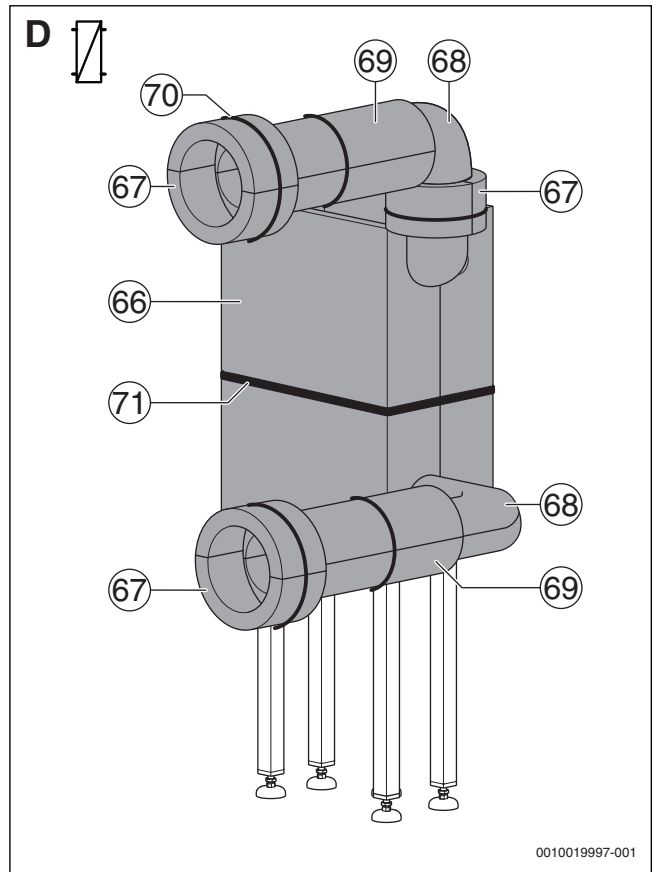
38



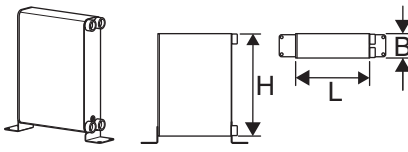

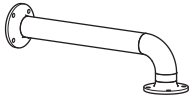
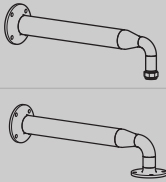


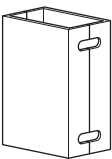


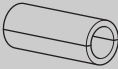






39

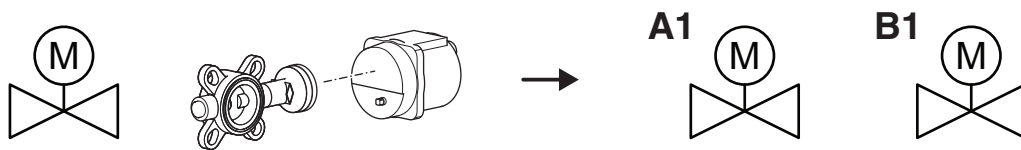



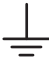
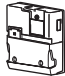

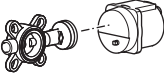


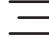
40

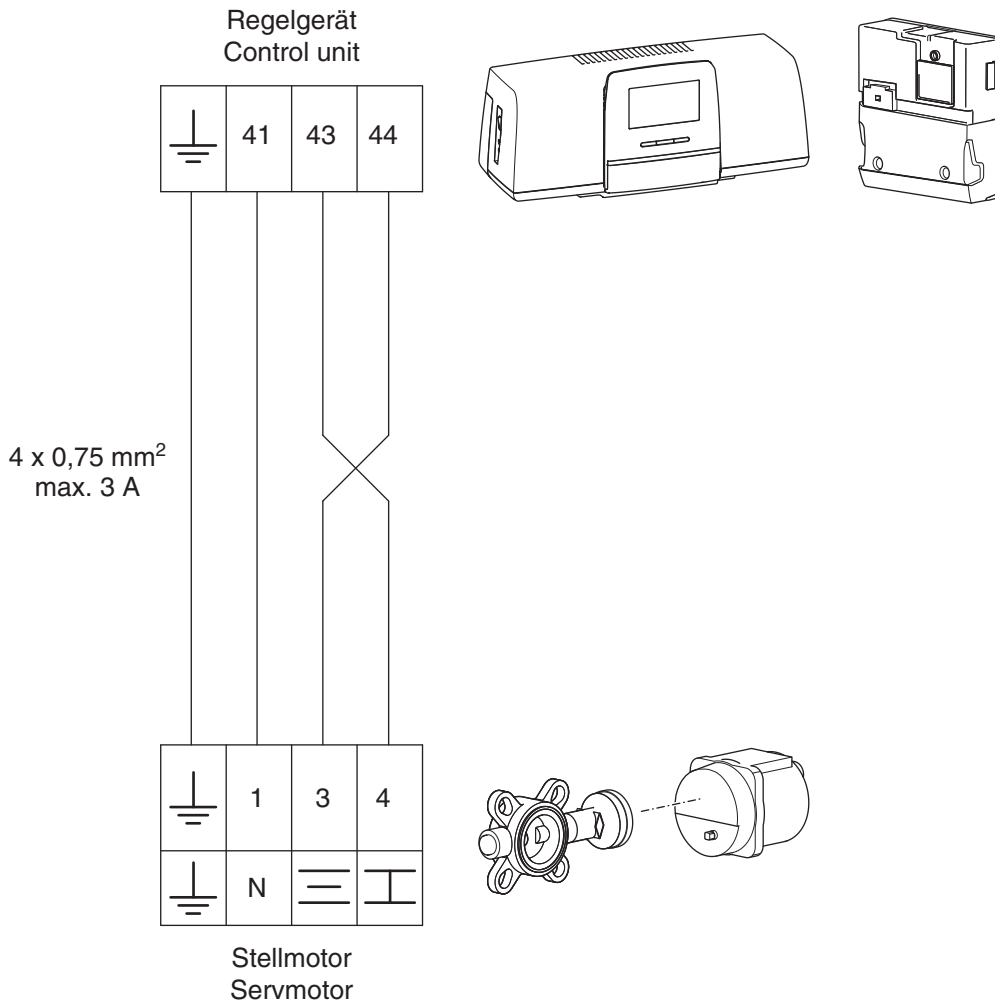


41

| ## |   | 2 × 75<br>[kW] | 2 × 100<br>[kW] | 2 × 150<br>[kW] | 2 × 200<br>[kW] | 2 × 250<br>[kW] | 2 × 300<br>[kW] | [L, B, H=mm]    |
|----|---|----------------|-----------------|-----------------|-----------------|-----------------|-----------------|-----------------|
| 60 |    | 1              | -               | -               | -               | -               | -               | 297 × 117 × 498 |
|    |   | -              | 1               | -               | -               | -               | -               | 159 × 242 × 611 |
|    |   | -              | -               | 1               | -               | -               | -               | 217 × 242 × 611 |
|    |   | -              | -               | -               | 1               | -               | -               | 275 × 242 × 611 |
|    |   | -              | -               | -               | -               | 1               | -               | 333 × 242 × 611 |
|    |   | -              | -               | -               | -               | -               | 1               | 391 × 242 × 611 |
| 61 |    | 1              | 1               | -               | -               | -               | -               |                 |
|    |   | -              | -               | 1               | 1               | 1               | 1               | -               |
| 62 |    | 1              | 1               | 1               | 1               | 1               | 1               | -               |
| 63 |    | 1              | 1               | -               | -               | -               | -               | -               |
|    |   | -              | -               | 1               | 1               | 1               | 1               | -               |
| 64 |    | 4              | 4               | 4               | 4               | 4               | 4               | -               |
| 65 |   | 1              | 1               | -               | -               | -               | -               | 526 × 120 × 470 |
|    |   | -              | -               | 1               | -               | -               | -               | 362 × 250 × 470 |
|    |   | -              | -               | -               | 1               | 1               | 1               | 420 × 250 × 470 |
| 66 |  | 1              | 1               | 1               | 1               | 1               | 1               | -               |
| 67 |  | 3              | 3               | 3               | 3               | 3               | 3               | -               |
| 68 |  | 3              | 3               | 3               | 3               | 3               | 3               | -               |
| 69 |  | 2              | 2               | 2               | 2               | 2               | 2               | -               |
| 70 |  | 2              | 2               | 2               | 2               | 2               | 2               | -               |
| 71 |  | 2              | 2               | 2               | 2               | 2               | 2               | -               |
| 72 |  | -              | -               | 2               | 2               | 2               | 2               | 66,27 × 3,53    |
| 73 |  | -              | -               | 1               | 1               | 1               | 1               | 61 × 95 × 2     |
|    |   | 1              | 1               | -               | -               | -               | -               | 77 × 116 × 2    |
| 74 |  | 4              | 4               | 4               | 4               | 4               | 4               | 10,5            |
|    |   | 8              | 8               | 16              | 16              | 16              | 16              | 13              |
| 75 |  | 4              | 4               | 4               | 4               | 4               | 4               | M10 × 20        |
|    |   | -              | -               | 8               | 8               | 8               | 8               | M12 × 45        |
|    |   | 4              | 4               | 4               | 4               | 4               | 4               | M12 × 50        |



| Beschreibung der Anschlussklemmen<br>Description of the terminals  | Klemmen<br>Terminals | Erde<br>Earth  | N  | Zu<br>Closed  | Auf<br>Open   |
|--|----------------------|--|----|---|---|
| Regelgerät<br>Control unit<br>                                    | SR                   |  | 41 | 43  | 44  |
| Regelgerät<br>Control unit<br>                                    | SH                   |  | 41 | 43  | 44  |
| Anschlussklemmen Stellmotor<br>Connection terminals servmotor<br> |                      |  | 1  | 4   | 3   |
|  |                      |  | N  |  |  |



0010028149-001

**[de] Wichtige Hinweise zur Installation/Montage**

Die Installation/Montage muss durch eine für die Arbeiten zugelassene Fachkraft unter Beachtung der geltenden Vorschriften erfolgen. Nichtbeachten der Vorgaben kann zu Sachschäden und/oder Personenschäden bis hin zur Lebensgefahr führen.

- ▶ Lieferumfang auf Unversehrtheit prüfen. Nur einwandfreie Teile einbauen.
- ▶ Mitgeltende Anleitungen von Anlagenkomponenten, Zubehör und Ersatzteilen beachten.
- ▶ Vor allen Arbeiten: Anlage allpolig spannungsfrei machen.
- ▶ Stets alle für das betroffene Gerät beschriebenen Teile verbauen.
- ▶ Ausgetauschte Teile nicht wiederverwenden.
- ▶ Erforderliche Einstellungen, Funktions- und Sicherheitsprüfungen durchführen.
- ▶ Dichtstellen gas-, abgas-, wasser- oder ölführender Teile auf Dichtheit prüfen.
- ▶ Vorgenommene Änderungen dokumentieren.

**[en] Important notes on installation/assembly**

The installation/assembly must be carried out by a qualified contractor, following these instructions and in compliance with the applicable regulations. Noncompliance with specifications can result in material damage and/or personal injury or fatality.

- ▶ Check that the contents of the delivery are undamaged. Only fit undamaged parts.
- ▶ Follow the applicable instructions for the other system components, accessories and spare parts.
- ▶ Before starting any work: disconnect the system from the power supply across all phases.
- ▶ Install all parts described for the device concerned.
- ▶ Do not reuse any parts that have already been fitted and replaced.
- ▶ Perform the required adjustments, functional tests and safety tests.
- ▶ Test any joints that carry gas, flue gas, water or oil for leaks.
- ▶ Document any alterations made.

**[fr] Instructions importantes pour l'installation/le montage**

L'installation/le montage doit être effectué(e) par un spécialiste agréé pour les opérations concernées et dans le respect de la présente notice et des prescriptions applicables. Le non-respect des prescriptions peut entraîner des dommages matériels et/ou des dommages personnels, voire la mort.

- ▶ Vérifier si le contenu de la livraison est en bon état. N'utiliser que des pièces en parfait état.
- ▶ Respecter également les notices des composants de l'installation, des accessoires et des pièces de rechange.
- ▶ Avant tous les travaux : couper la tension sur tous les pôles de l'installation.
- ▶ Monter toujours toutes les pièces concernées pour l'appareil.
- ▶ Ne pas réutiliser les pièces remplacées !
- ▶ Effectuer les réglages, les contrôles de fonctionnement et de sécurité requis.
- ▶ Vérifier l'étanchéité des points d'étanchéité des composants conduisant le gaz, les fumées, l'eau et l'huile.
- ▶ Documenter les modifications effectuées.

**[bg] Важни указания във връзка с инсталацията/монтажа**

Инсталацията/монтажът трябва да се извършва от лицензиран за работите специалист в съответствие с настоящото ръководство и с приложимите разпоредби. Неспазването на предписанията може да доведе до материални щети и/или телесни повреди или дори опасност за живота.

- ▶ Проверете обема на доставката за невредимост. Монтирайте само части без дефекти.
- ▶ Съблюдавайте съответните ръководства на компоненти на уредбата, принадлежности и резервни части.
- ▶ Преди всички работи: На всички полюси уредбата не трябва да бъде под напрежение.
- ▶ Винаги монтирайте всички части, описани за съответния уред.
- ▶ Не използвайте сменните части повторно!
- ▶ Изпълнете необходимите настройки, проверки за функционалност и сигурност.
- ▶ Проверете местата на уплътнение на газопроводни, за отработени газове, водопроводни или маслопроводни части за течове.
- ▶ Документирайте извършените промени.
- ▶ Винаги монтирайте всички части, описани за съответния уред.
- ▶ Не използвайте сменните части повторно!

**[cs] Důležité pokyny k instalaci/montáži**

Instalaci/montáž musí při dodržení pokynů uvedených v tomto návodu a platných předpisů provést odborný pracovník s příslušným oprávněním pro tyto práce. Nedodržení požadavků může způsobit materiální škody a/nebo poškodit zdraví osob, popř. i ohrozit život.

- ▶ Zkontrolujte, zda rozsah dodávky nebyl porušen. Montujte jen nezávadné díly.
- ▶ Řiďte se souvisejícími návody pro komponenty zařízení, příslušenství a náhradní díly.
- ▶ Před započetím všech prací: vypněte kompletně napájení do zařízení.
- ▶ K vestavbě použijte vždy všechny díly popsané pro daný přístroj.
- ▶ Vyměněné díly znovu nepoužívejte.
- ▶ Proved'te potřebná nastavení, funkční a bezpečnostní zkoušky.
- ▶ Spojovaná místa dílů vedoucích plyn, spaliny, vodu nebo olej zkontrolujte těsnost.
- ▶ Provedené změny zdokumentujte.

**[da] Vigtige anvisninger til installationen/monteringen**

Installationen/monteringen skal foretages af en godkendt installatør under overholdelse af denne vejledning og de gældende forskrifter. Manglende overholdelse af bestemmelse kan føre til materielle skader og/eller personskader, som kan være livsfarlige.

- ▶ Kontrollér, at leveringsomfanget er intakt og uden skader. Installér kun dele, som er intakte og uden skader.
- ▶ Overhold de gældende vejledninger til anlægskomponenter, tilbehør og reserve-dele.
- ▶ Før arbejdet udføres: Afbryd anlægget, så det er spændingsløst på alle poler.
- ▶ Montér altid alle dele, som er angivet til det pågældende apparat.
- ▶ Genbrug ikke udskiftede dele.
- ▶ Udfør de nødvendige indstillinger, funktions- og sikkerhedskontroller.
- ▶ Kontrollér, at tætningssteder, gas-, røggas-, vand- eller olieførende dele er tætte.
- ▶ Dokumentér udførte ændringer.

**[es] Indicaciones importantes para instalación/montaje**

La instalación/el montaje debe realizarla personal especializado que esté autorizado para realizar estos trabajos y que tenga en cuenta estas instrucciones y la normativa vigente. El incumplimiento de las normas puede provocar daños materiales y/o personales e incluso la muerte.

- ▶ Comprobar la integridad del volumen de suministro. Montar únicamente las piezas que estén correctas.
- ▶ Respetar las instrucciones de referencia de los componentes de la instalación, los accesorios y las piezas de repuesto.
- ▶ Antes de todos los trabajos: eliminar la tensión en todos los polos de la instalación.
- ▶ Utilizar siempre todas las piezas descritas para el aparato correspondiente.
- ▶ No volver a utilizar las piezas sustituidas.
- ▶ Realizar los ajustes y las comprobaciones de funcionamiento y seguridad que sean necesarios.
- ▶ Comprobar la estanqueidad de todos los puntos estancos en las piezas conductoras de gas, gases, agua o gasóleo.
- ▶ Documentar las modificaciones realizadas.

**[et] Olulised juhised paigaldamiseks/montaažiks**

Paigaldamist/montaaži tohib läbi viia vaid selleks volitusi omav spetsialist, arvestades kehtivaid nõudeid. Nõuete mittejärgimisega võivad kaasneda eluohtlikud vigastused ja/või seadme kahjustused.

- ▶ Tuleb kontrollida, et kõik tarnekomplekti kuuluv on kahjustamata. Paigaldada võib ainult laitmatus korras olevaid detaile.
- ▶ Tuleb järgida kõiki seadme komponentide, tarvikute ja varuosade kohta kaaskehtivaid juhendeid.
- ▶ Enne kõigi tööde alustamist: muuta seadme kõik faasid pingevabaks.
- ▶ Alati kasutada seadme jaoks mõeldud varuosi.
- ▶ Asendatud osi ei tohi taaskasutada!
- ▶ Teostada vajalikud seadistused, talitlus- ja ohutuskontrollid.
- ▶ Kontrollida gaasi, heitgaasi, vett või õli juhtivate detailide tihenduskohtadel, et ei esine lekkeid.
- ▶ Tehtud muudatused tuleb dokumenteerida.

**[fi] Tärkeitä asennus- ja kokoonpano-ohjeita**

Näihin töihin hyväksytyt ammattiasentajat pitää suorittaa asennus- ja kokoonpanotyöt voimassa olevien määräysten mukaisesti. Ohjeiden noudattamatta jättäminen voi aiheuttaa aineellisia vahinkoja ja/tai jopa hengenvaarallisia henkilövahinkoja.

- ▶ Tarkasta, että toimitettu tuote on vahingoittumaton. Käytä asennuksessa ainoastaan moitteettomia osia.
- ▶ Noudata laitekomponenttien, lisätarvikkeiden ja varaosien asianomaisia ohjeita.
- ▶ Tee laitteisto kaikista navoistaan jännitteettömäksi ennen töiden aloittamista.
- ▶ Asenna aina kulloiseenkin laitteeseen kaikki kuvatut osat.
- ▶ Älä käytä uudelleen vaihdettuja osia.
- ▶ Tarkasta vaaditut säädöt ja tee toiminta- ja turvallisuustarkastukset.
- ▶ Tarkasta kaasua, poistokaasua, vettä ja öljyä johtavien osien tiivistyskohdat.
- ▶ Dokumentoi tehdyt muutokset.

**[el] Σημαντικές υποδείξεις για την εγκατάσταση/συναρμολόγηση**

Η εγκατάσταση/τοποθέτηση πρέπει να ανατίθεται σε εκπαιδευμένο για τις συγκεκριμένες εργασίες τεχνικό προσωπικό με τήρηση αυτών των οδηγιών καθώς και των σχετικών προδιαγραφών. Η μη τήρηση των οδηγιών είναι πιθανό να οδηγήσει σε υλικές ζημιές και/ή σωματικές βλάβες, ή ακόμα και να θέσει σε κίνδυνο τη ζωή ατόμων.

- ▶ Ελέγξτε το περιεχόμενο παραγγελίας για τυχόν φθορές. Στην εγκατάσταση πρέπει να εγκαθίστανται μόνο εξαρτήματα που λειτουργούν άψογα.
- ▶ Λάβετε υπόψη τις συνοδευτικές οδηγίες που αφορούν τα εξαρτήματα της εγκατάστασης, τους πρόσθετους εξοπλισμούς και τα ανταλλακτικά.
- ▶ Πριν από οποιαδήποτε εργασία: Αποσυνδέστε όλους τους πόλους της εγκατάστασης από το ρεύμα.
- ▶ Θα πρέπει να τοποθετούνται πάντα όλα τα σχετικά με τη συσκευή εξαρτήματα που αναφέρονται στις περιγραφές.
- ▶ Να μην επαναχρησιμοποιούνται τα εξαρτήματα που αφαιρούνται για να αντικατασταθούν.
- ▶ Προβείτε στις ρυθμίσεις και τους ελέγχους λειτουργίας και ασφάλειας που απαιτούνται.
- ▶ Ελέγξτε τη στεγανότητα των σημείων στεγανοποίησης των εξαρτημάτων από τα οποία διέρχονται αέριο, καυσάεριο, νερό ή πετρέλαιο.
- ▶ Καταγράψτε τις τροποποιήσεις που κάνουνται.

**[hr] Važne upute za postavljanje/montažu**

Instalacija/montaža mora biti učinjena od strane ovlaštenog stručnjaka za rad te u skladu s važećim propisima. Nepoštivanje uputa može dovesti do materijalnih šteta i/ili osobnih ozljeda ili opasnosti po život.

- ▶ Kontrolirajte opseg isporuke na neoštećenost. Instalirajte samo ispravne dijelove.
- ▶ Pridržavajte se važećih uputa komponenata postrojenja, pribora i zamjenskih dijelova.
- ▶ Prije svih radova: svepolno isključite iz napona.
- ▶ Zaprijecite sve opisane dijelove za pojedini uređaj.
- ▶ Zamijenjene dijelove ne koristite ponovno.
- ▶ Provedite potrebne postavke te funkcijske i sigurnosne provjere.
- ▶ Provjerite propusnost brtvenih mjesta te dijelova koji provode plin, ispušni plin, vodu ili ulje.
- ▶ Bilježite provedene promjene.

**[hu] Fontos tudnivalók az installáláshoz/szereléshez**

A telepítést/szerelést egy, a munkálatokra felhatalmazott szakembernek kell végeznie, jelen utasítás és az érvényes előírások figyelembevételével. Az előírások figyelmen kívül hagyása anyagi károkhhoz és/vagy személyi sérülésekhez vagy akár életveszélyhez is vezethetnek.

- ▶ Ellenőrizze a szállítási terjedelem sértetlenségét. Csak kifogástalan elemeket és alkatrészeket építsen be.
- ▶ A rendszerkomponensek, tartozékok és pótalkatrészek együtt érvényes útmutatóit vegye figyelembe.
- ▶ Minden munkavégzés előtt: az elektromos berendezést minden pólusán kapcsolja feszültségmentes állapotra.
- ▶ Minden esetben az összes, az érintett készülékhez ismertetett alkatrészt be kell szerelni.
- ▶ A cserélt alkatrészeket ne használja újra.
- ▶ Végezze el a szükséges beállításokat, működés-ellenőrzéseket és biztonsági vizsgálatokat.

- ▶ Ellenőrizze a gázt, füstgázt, vizet vagy olajat vezető részek tömítési helyeinek tömítettségét.
- ▶ Dokumentálja az elvégzett változtatásokat.

**[it] Avvertenze importanti per l'installazione/il montaggio**

L'installazione/il montaggio deve aver luogo ad opera di una ditta specializzata ed autorizzata in osservanza di queste istruzioni e delle direttive vigenti. L'inosservanza delle indicazioni può causare lesioni alle persone e/o danni materiali fino ad arrivare al pericolo di morte.

- ▶ Verificare che il volume di forniture sia completo e non presenti nessun tipo di danno. Installare solo parti in stato perfetto.
- ▶ Osservare le istruzioni allegate dei componenti dell'impianto, degli accessori e delle parti di ricambio.
- ▶ Prima di tutti i lavori: staccare completamente l'alimentazione elettrica dell'impianto.
- ▶ Per l'apparecchio interessato bloccare ogni volta tutti i componenti descritti.
- ▶ Non riutilizzare componenti sostituiti.
- ▶ Eseguire le impostazioni necessarie, i controlli di funzionamento e di sicurezza.
- ▶ Controllare che i punti di tenuta delle parti che conducono gas, prodotti di evacuazione della combustione, scarico, acqua o olio siano ermetici.
- ▶ Documentare le modifiche effettuate.

[ka] მნიშვნელოვანი მითითებები ინსტალაციისთვის / მონტაჟისათვის

ინსტალაცია / მონტაჟი უნდა განხორციელდეს სამუშაოებისთვის დაშვებული კვალიფიციური პერსონალის მიერ, მოქმედი განაწესის დაცვით. ნორმების არგათვალისწინებამ შეიძლება მიგვიყვანოს მატერიალურ ზარალამდე და / ან ფიზიკურ ჰირთა დაზიანებამდე, სიცოცხლისათვის საშიშვლო მდგომარეობის დადგომამდე.

- ▶ მოწოდებული საქონლის მოცულობა უნდა შემოწმდეს სისრულეზე. მხოლოდ უზაოდ ხარისხის ნაწილები უნდა დამონტაჟდეს.
- ▶ ყურადღება მიაქციეთ არსებულ მოქმედ ინსტრუქციებს, აქსესუარებს და სათანადო ნაწილებს.
- ▶ პირველ რიგში ჩასატარებელი სამუშაოები: მონტაჟი უნდა შესრულდეს ყველა პოლუსზე ძაბვის გარეშე.
- ▶ ყოველთვის დამონტაჟდეს მოცემული აპარატისთვის აღწერილი ნაწილები.
- ▶ გამოცვლილი ნაწილები კვლავ აღარ გამოიყენოთ.
- ▶ შემოწმდეს აუცილებელი რეგულაციები, ფუნქციები და უსაფრთხოება.
- ▶ გაზის, გაზის ნარჩენი არების, წყლის ან ზეთის გადამტანი ნაწილების ჰერმეტიკობა სიმტკიცეზე შეამოწმეთ.
- ▶ აწარმოეთ შეტანილი ცვლილებების დოკუმენტირება.

**[kk] Орнату/Құрастыру үшін маңызды нұсқаулары**

Орнату/Құрастыру осы жұмыстарды өткізу үшін рұқсаты бар мамандар арқылы, күште болған заңдар мен ережелерге назар аударыла отырып, өткізілуі қажет. Нұсқауларға назар аудармай отырып әрекет ету заттық шығындарға немесе адам денсаулығына, адам өміріне қауіп тудыруға дейін, аппараты мүмкін.

- ▶ Қаптаманың ашылмағандығын тексеріңіз. Тек қана мінсіз қалыптағы бөлшектерін құрастырып орнатыңыз.
- ▶ Қондырғы компоненттері, қосалқы және толымдаушы бөлшектеріне қатысты басқа қолданылатын нұсқаулықтарға назар аудары отырып әрекеттеніңіз.
- ▶ Барлық жұмыстарын өткізу алдында: қондырғыны көп полюстық қылып кернеуден босатыңыз.
- ▶ Керекті электрбұйым үшін сипатталған барлық бөлшектерін құрастырып орнатыңыз.
- ▶ Ауыстырылған ескі бөлшектерін қайта қолданбаңыз.
- ▶ Тапап етілетін параметрлері, функциялары мен қауіпсіздік тексерулерін өткізіңіз.
- ▶ Газ, пайдаланылған газ, су немесе май өткізетін бөлшектерінің тығыздық жерлерінің тығыз болуын тексеріңіз.
- ▶ Өткізілген өзгерістерінің құжаттандырылуы керек.

**[lt] Svarbios instaliavimo ir (arba) montavimo nuorodos**

Instaliavimo / montavimo darbus, laikydamiės šios instrukcijos reikalavimų ir galiojančių taisyklių, privalo atlikti šioms darbams įgalioti specialistai. Nesilaikant

nurodymų, galima patirti materialinės žalos ir / arba gali būti sužaloti asmenys ar net iškilti pavojus gyvybei.

- ▶ Patikrinkite, ar pristatytame komplekte yra visos reikiamos dalys. Įmontuokite tik nepriekaištingos būklės dalis.
- ▶ Taip pat laikykitės įrenginio komponentų, priedų ir atsarginių dalių galiojančių instrukcijų.
- ▶ Prieš pradėdami bet kokius darbus: atjunkite įrenginio visų fazių srovę.
- ▶ Visada sumontuokite visas su atitinkamu įrenginiu aprašytas dalis.
- ▶ Pakeistų dalių nebenaudokite.
- ▶ Atlikite reikiamus nustatymus, veikimo ir saugos patikras.
- ▶ Patikrinkite dalių, kuriomis cirkuliuoja dujos, išmetamosios dujas, vanduo ar alyva, užsandarintų vietų sandarumą.
- ▶ Pakitimus užregistruokite dokumentuose.

#### [lv] Svarīgi norādījumi par iekārtas uzstādīšanu / montāžu

Uzstādīšanu/montāžu jāveic atbilstošajam darbiem sertificētam speciālistam, ievērojot šo instrukciju un spēkā esošos noteikumus. Neievērojot šos noteikumus, iespējami mantiskie zaudējumi un/vai traumas vai pat apdraudējums dzīvībai.

- ▶ Pārbaudiet, vai piegādes komplekts nav bojāts. Montāžai lietojiet tikai nevainojamā stāvoklī esošus komponentus.
- ▶ Ievērojiet iekārtas komponentu, piederumu un rezerves daļu instrukcijas.
- ▶ Pirms jebkādu darbu uzsākšanas: izslēdziet iekārtas strāvas padevi visiem poliem.
- ▶ Vienmēr uzstādiet visas atbilstošajai iekārtai noteiktās detaļas.
- ▶ Nomainītās detaļas neizmantojiet atkārtoti.
- ▶ Veiciet nepieciešamos ieregulējumus, kā arī funkcionālās un drošības pārbaudes.
- ▶ Pārbaudiet gāzi, dūmgāzes, ūdeni vai degvielu vadošu daļu hermētiskumu.
- ▶ Dokumentējiet veiktās izmaiņas.

#### [nl] Belangrijke aanwijzingen betreffende de installatie/montage

De installatie/montage moet door een erkend installateur worden uitgevoerd, rekening houdend met deze instructie en de geldende voorschriften. Het niet aanhouden van deze instructies kan materiële schade, persoonlijk letsel of zelfs levensgevaar tot gevolg hebben.

- ▶ Controleer of de leveringsomvang niet beschadigd is: monteer alleen onderdelen die in optimale conditie verkeren.
- ▶ Houd tevens geldende handleidingen van installatiecomponenten, accessoires en reserveonderdelen aan.
- ▶ Maak voor aanvang van de werkzaamheden de installatie spanningsloos.
- ▶ Gebruik altijd alle voor het betreffende toestel beschreven onderdelen.
- ▶ Gebruik vervangen onderdelen niet opnieuw.
- ▶ Voer de benodigde instellingen, functie- en veiligheidscontroles uit.
- ▶ Controleer alle gas-, rookgas-, water- of olievoerende delen op dichtheid.
- ▶ Documenteer uitgevoerde veranderingen.

#### [no] Viktig informasjon om installasjon/montering

Installasjonen/monteringen skal gjennomføres av autoriserte installatører, og installasjonsanvisningen samt gjeldende forskrifter skal følges. Feilbetjening kan føre til materielle skader og/eller personskader med fare for tap av liv:

- ▶ Kontroller at leveransen er intakt. Bare intakte komponenter skal monteres.
- ▶ Vær oppmerksom på bruksanvisninger for anleggskomponenter, tilbehør og reservedeler.
- ▶ Før alle arbeider: Koble anlegget helt fra strømforsyningen.
- ▶ Bygg alltid inn alle deler som er beskrevet for gjeldende apparat.
- ▶ Utskiftede deler må ikke anvendes på nytt.
- ▶ Gjennomfør nødvendige innstillinger, funksjons- og sikkerhetskontroller.
- ▶ Kontroller at gass-, eksos-, vann- og oljeførende deler er tette.
- ▶ Dokumenter endringer som foretas.

#### [pl] Ważne wskazówki dotyczące instalacji/montażu

Instalację/montaż powinien wykonać specjalista uprawniony do tego typu prac z uwzględnieniem informacji podanych w niniejszej instrukcji oraz aktualnie obowiązujących przepisów. Ignorowanie tych wytycznych grozi szkodami materialnymi i/lub urazami cieleśnymi ze śmiercią włącznie.

- ▶ Sprawdź, czy zawartość dostawy nie jest naruszona. Montować tylko elementy będące w nienagannym stanie.
- ▶ Przestrzegać dodatkowych instrukcji dołączonych do komponentów instalacji, osprzętu i oraz części zamiennych.

- ▶ Przed przystąpieniem do wykonywania wszelkich prac: odłączyć instalację od zasilania sieciowego (wszystkie bieguny).
- ▶ Należy w każdym wypadku zabudowywać w odnośnym urządzeniu części przewidziane dla tego urządzenia.
- ▶ Ponowne używanie części wymienionych wcześniej na nowe jest zabronione.
- ▶ Dokonać wymaganych ustawień, przeprowadzić wymagane sprawdzenia działania i bezpieczeństwa
- ▶ Sprawdzić szczelność elementów instalacji gazowej, spalinowej, wodnej i olejowej
- ▶ Udokumentować dokonane zmiany.

#### [pt] Indicações importantes relativas à instalação/montagem

A instalação/montagem deve ser efectuada por um técnico autorizado para os trabalhos, respeitando este manual e as prescrições válidas. A inobservância das indicações pode provocar danos materiais e/ou pessoais e até mesmo perigo de morte.

- ▶ Verificar se o material fornecido está intacto. Montar apenas peças em perfeitas condições.
- ▶ Ter em consideração as instruções aplicáveis de componentes da instalação, acessórios e peças de substituição.
- ▶ Antes de todos os trabalhos: desligar a instalação da corrente em todos os pólos.
- ▶ Montar sempre todas as peças descritas para o aparelho em questão.
- ▶ Não reutilizar peças substituídas.
- ▶ Efectuar os ajustes necessários e as verificações de funcionamento e segurança.
- ▶ Verificar os pontos de vedação de peças condutoras de gás, gases queimados, água ou óleo no que diz respeito à estanqueidade.
- ▶ Documentar as alterações efectuadas.

#### [ro] Indicații importante privind instalarea/montajul

Instalarea/montajul trebuie realizate de către un specialist autorizat pentru lucrările respective, respectându-se prezentele instrucțiuni și prescripțiile valabile.

Nerespectarea indicațiilor poate conduce la daune materiale și/sau daune personale și pericol de moarte.

- ▶ Verificați dacă produsul livrat este intact. Montați numai piese fără defecte.
- ▶ Respectați instrucțiunile conexe referitoare la componentele instalației, accesorii și piese de schimb.
- ▶ Anterior tuturor lucrărilor: decuplați instalația de la alimentarea cu tensiune la toți polii.
- ▶ Montați întotdeauna toate piesele indicate pentru aparatul în cauză.
- ▶ Nu refolosiți piesele înlocuite.
- ▶ Realizați reglajele necesare, precum și verificările funcționării și de siguranță.
- ▶ Verificați punctele de etanșare ale pieselor conductoare de gaz, gaze arse, apă sau ulei în privința etanșeității.
- ▶ Înregistrați modificările efectuate.

#### [ru] Важные указания по подключению/монтажу

Подключение/монтаж должны выполнять только специалисты, имеющие допуск к выполнению таких работ, при соблюдении требований этой инструкции и действующих норм и правил. Несоблюдение требований может привести к повреждению оборудования и/или травмам людей вплоть до угрозы их жизни.

- ▶ Проверьте комплект поставки на наличие повреждений. Устанавливайте только детали без дефектов.
- ▶ Выполняйте требования сопутствующих инструкций на компоненты установки, дополнительное оборудование и запчасти.
- ▶ Перед выполнением любых работ: обесточьте установку отключением всех фаз.
- ▶ Всегда устанавливайте все указанные для соответствующего оборудования детали.
- ▶ Заменённые детали не используйте повторно.
- ▶ Выполните необходимые регулировки, функциональные испытания и проверку безопасности.
- ▶ Проверьте отсутствие протечек в местах уплотнений всех деталей газового, водо- и маслопроводящего оборудования и системы отвода дымовых газов.
- ▶ Задокументируйте выполненные изменения.

#### [sk] Dôležité pokyny týkajúce sa inštalácie/montáže

Inštaláciu/montáž musí vykonať odborný personál, ktorý má oprávnenie pre výkon týchto prác, pričom musí dodržiavať pokyny uvedené v tomto návode a platné predpisy. Nedodržanie pokynov môže viesť k vzniku vecných škôd a/alebo poranení osôb, až s následkom smrti.

- ▶ Skontrolujte, či je dodávka neporušená. Montujte iba bezchybné komponenty.
- ▶ Dodržujte inštrukcie uvedené v súvisiacich návodoch ku komponentom zariadenia, príslušenstvu a náhradným dielom.
- ▶ Pred začiatkom všetkých prác: Odpojte všetky póly el. napájania zariadenia.
- ▶ Vždy prestavte všetky popísané diely príslušného zariadenia.
- ▶ Vymenené diely už znova nepoužívajte.
- ▶ Vykonajte potrebné nastavenia, skontrolujte funkcie a vykonajte bezpečnostné kontroly.
- ▶ Skontrolujte tesnosť utesených miest dielov vedúcich plyn, spaliny, vodu alebo olej.
- ▶ Zdokumentujte vykonané zmeny.

#### [sl] Pomembni napotki za namestitev/montažo

Inštalacijo/montažo lahko izvede samo pooblaščen strokovnjak ob upoštevanju teh navodil in veljavnih predpisov. Pri neupoštevanju navodil lahko pride do stvarne škode in/ali poškodb oseb, kar lahko vključuje tudi življenjsko nevarnost.

- ▶ Preverite, ali dobava ni poškodovana. Vgradite samo nepoškodovane dele.
- ▶ Upoštevajte priložena veljavna navodila komponent naprave, priborov in nadomestnih delov.
- ▶ Pred vsemi deli: izklopite napravo iz vseh polov.
- ▶ Vedno vgradite vse opisane dele za zadevno napravo.
- ▶ Zamenjanih delov ne smete uporabiti znova.
- ▶ Izvedite potrebne nastavitve, preverite delovanje in varnost.
- ▶ Preverite, ali tesnilna mesta na plinskih, dimovodnih delih in delih, skozi katere teče voda in olje, tesnijo.
- ▶ Spemembe, ki se jih naredili, zabeležite.

#### [sr] Važna uputstva za ugradnju i montažu

Ovu instalaciju/montažu moraju da obave stručna lica koja su ovlašćena za obavljanje takvih radova u skladu sa ovim uputstvom i važećim propisima. Nepoštovanje ovih napomena može da dovede do materijalnih šteta i/ili telesnih povreda, pa čak i do opasnosti po život.

- ▶ Proveriti da li postoje oštećenja u okviru sadržaja isporuke. Ugrađivati samo potpuno ispravne delove.
- ▶ Pridržavati se priloženih uputstava za komponente sistema, dodatnu opremu i rezervne delove.
- ▶ Pre svih radova: sistem potpuno isključiti iz struje.
- ▶ Uvek ugraditi sve delove koji su propisani za dati uređaj.
- ▶ Zamenjene delove ne koristiti ponovo.
- ▶ Obaviti potrebna podešavanja, proveriti funkcionisanja i bezbednosti.
- ▶ Proveriti hermetičnost zaptivnih mesta delova koji provode gas, izduvne gasove vodu ili ulje.
- ▶ Dokumentovati izvršene izmene.

#### [sv] Viktiga anvisningar för installation/montering

Installationen/monteringen måste utföras av en behörig och tekniskt utbildad person enligt denna anvisning samt gällande föreskrifter.

Om specifikationer inte följs kan det leda till skador på utrustning och/eller personskador och till och med livsfara.

- ▶ Kontrollera att leveransen är intakt. Installera endast felfria delar.
- ▶ Tillämpliga instruktioner för systemkomponenter, tillbehör och reservdelar ska också följas.
- ▶ Före alla arbeten ska anläggningen försättas i spänningsfritt tillstånd.
- ▶ Alla delar av apparaten som anges måste alltid demonteras.
- ▶ Utbytta delar får inte återanvändas.
- ▶ Genomför nödvändiga inställningar samt funktions- och säkerhetstest.
- ▶ Kontrollera att tätningstillstånd på delar som leder gas, avgas, vatten eller olja är täta.
- ▶ Dokumentera eventuella justeringar.

#### [tr] Kurulum/Montaj ile ilgili önemli uyarılar

Kurulum/montaj, bu çalışmalarını yapmasına müsaade edilen uzman kişiler tarafından işbu kılavuz ve geçerli yönetmelikler dikkate alınarak yapılmalıdır. Öngörülen bilgilerin dikkate alınmaması, maddi hasarlara ve/veya yaralanmalara ve ölümlü tehlikesine yol açabilir.

- ▶ Teslimat kapsamının eksiksiz ve sorunsuz olduğunu kontrol edin. Sadece kusursuz durumdaki parçaları monte edin.
- ▶ Tesisat parçalarına, aksesuarlara ve yedek parçalara ait talimatları dikkate alın.
- ▶ Çalışmaya başlamadan önce: Enerji beslemesinin tüm kutuplarını ayırarak tesisatın enerji beslemesini kesin.

- ▶ İlgili cihaz için anlatılan tüm parçaları her zaman monte edin.
- ▶ Çıkarılan parçaları tekrar kullanmayın.
- ▶ Gerekliliği ayarları, çalışma ve emniyet kontrollerini yapın.
- ▶ İçerisinden gaz, atık gaz, su veya yağ geçen parçalardaki sızdırmazlık noktalarının sızdırmazlığını kontrol edin.
- ▶ Yapılan değişikliklerin notunu alın.

#### [uk] Важливі вказівки щодо установки/монтажу

Встановлення/монтаж повинні виконувати фахівці, що допущені до виконання таких робіт, із дотриманням цієї інструкції та діючих приписів. Недотримання цих інструкцій може призвести до матеріальних збитків та/або травмування осіб, а також може бути небезпечним для життя.

- ▶ Перевірити комплект поставки на цілісність. Встановлювати лише деталі, що не мають дефектів.
- ▶ Дотримуватися чинних інструкцій для компонентів установки, додаткового приладдя та запасних частин.
- ▶ Перед здійсненням будь-яких робіт: знеструмити установку на всіх полюсах.
- ▶ Завжди замінійте всі описані відпрацьовані деталі, що стосуються приладу.
- ▶ НЕ використовуйте замінені деталі повторно.
- ▶ Здійснити необхідні настройки, перевірки функціонування та перевірки безпеки.
- ▶ Перевірити на герметичність місця ущільнення газопровідних, газовідвідних, водопровідних деталей та деталей, що змащуються мастилом.
- ▶ Задokumentувати здійснені зміни.

#### [zh] 安装方面的重要提示

安装和组装工作必须由经过许可的专业人员进行，同时必须遵守本说明书和现行法规的相关要求。违规操作可能造成财产损失和人员伤亡。

- ▶ 请检查供货范围是否完整。只能安装完好的工件。
- ▶ 注意设备部件、附件和备件相应的说明。
- ▶ 在进行所有的工作之前：确保设备的所有极点无电压。
- ▶ 请始终使用针对相关设备列出的所有零部件。
- ▶ 切勿重复使用更换下来的零部件。
- ▶ 执行所需的设置、功能检测和安全检测。
- ▶ 对气体引导、废气引导、水引导和油引导部件的密封点进行检查。
- ▶ 对所执行的变更进行记录。

#### [ar] ملاحظات هامة للتركيب/التجميع

دمت عم، صص ختم قبل نم بيكرتل/تبيبتل اتي نأ بجي لي لدا اذه تاميل عتل اقفو، لام عأل نم عونلا اذهب ماي قلل عأل ايدوي نأ نكفي تاميل عتل اعارم مدع. تيراسلا حئاوللاو لثمت دق تيصخش تبابصا وأو تاكلت مل ايف رارضاً عوقو اهاي حل ا رطخ.

- ▶ تحقق من سلامة محتويات التسليم. قم بتركيب الأجزاء السليمة فقط.
- ▶ يجب مراعاة التعليمات المرفقة الخاصة بمكونات الوحدة والملحقات وقطع الغيار.
- ▶ قبل البدء في أي عمل: افصل التيار عن جميع أقطاب الوحدة.
- ▶ تين عمل ا تدحولل قفوص و مل ا ااز جأل ا ففالك تبيبتل امئاد مق ايرخ ا قرم قل دببتس مل ا ااز جأل ا مدختست ا ا.
- ▶ قم بتنفيذ الإعدادات الضرورية، وفحوصات الوظائف والسلامة.
- ▶ افحص وجود تسرب بوصلات منع التسرب بالأجزاء الموصلة للغاز والعماد والمياه والزيوت.
- ▶ قم بتوثيق التغييرات الحادثة.

**[fa] تذکرات مهم درباره نصب/مونتاژ**

نصب/مونتاژ می‌بایست توسط متخصصین مجاز برای این کار با توجه به این دفترچه راهنما و مقررات جاری انجام شود. عدم توجه به اطلاعات می‌تواند منجر به بروز خسارات مالی و/یا جسمی و حتی جانی شود. عدم توجه به اطلاعات می‌تواند منجر به بروز خسارات مالی و/یا جسمی و حتی جانی شود.

- ◀ بررسی کنید که محتویات جنس تحویلی آسیب ندیده باشند. فقط قطعاتی که در وضعیت بی نقص قرار دارند را سوار کنید.
- ◀ کلیه دستور العمل‌های مربوط به سایر اجزای سیستم، لوازم جانبی و قطعات یدکی را رعایت نمایید.
- ◀ قبل از شروع هر کاری: سیستم را در کل فازها از منبع تغذیه برق قطع کنید.
- ◀ همواره از قطعاتی که برای دستگاه مربوط در نظر گرفته شده است، استفاده کنید.
- ◀ قطعات تعویض شده را دوباره استفاده نکنید.
- ◀ تنظیمات لازم و همچنین آزمونهای عملیاتی و ایمنی را انجام دهید.
- ◀ اتصالات بخشهای حامل گاز، گازهای دودکش، آب یا نفت از نظر وجود نشتی از مایش شوند.
- ◀ هرگونه تغییرات اعمال شده را ثبت و مستند نمایید.

**[he] הנחיות חשובות להתקנה / הרכבה**

ההתקנה / ההרכבה חייבת להתבצע על ידי גורם מקצועי שהוסמך לכך, תוך הקפדה על מילוי כל התקנות הרלוונטיות.

- ◀ יש לבדוק את הסחורה המסופקת. יש להתקין אך ורק חלקים תקינים.
- ◀ יש להקפיד ולמלא אחר ההנחיות וההוראות של רכיבי המערכת, האביזרים הנלווים שלה, וחלקי החילוף.
- ◀ לפני התחלת כל עבודה: יש לוודא שהמערכת מנותקת מכל מתח חשמלי.
- ◀ יש להרכיב תמיד את כל החלקים של המכשיר המדובר.
- ◀ אין לעשות שימוש חוזר בחלקים שפורקו והוחלפו!
- ◀ יש לבצע את כל הכווננים, ובדיקות הבטיחות והתפקוד התקין.
- ◀ יש לבדוק את כל נקודות החיבור של צנרת הגז, הפליטה, המים והשמן, לאיתור נזילות.
- ◀ יש להקפיד ולתעד כי שינוי שמבוצע במערכת.

